

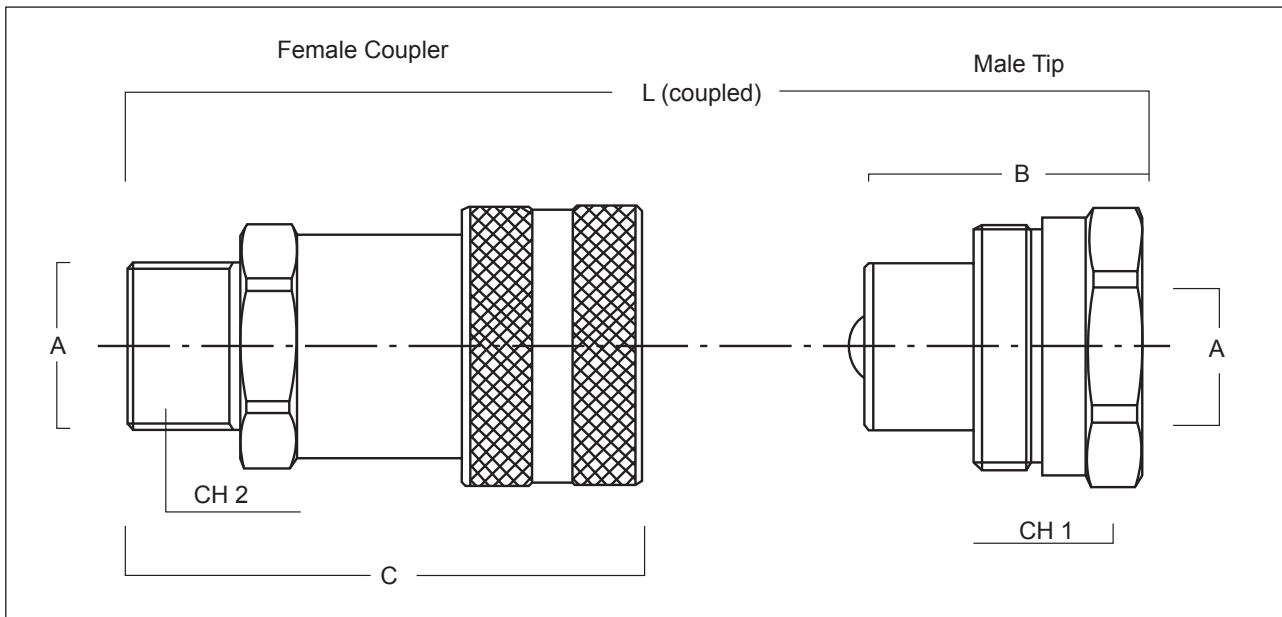
Series J



Quick Disconnect Couplings

Series J

Series J includes screw to connect couplings designed to match the very high pressures used for hydraulic tools.



Dimensions										
Size Base	Ø DN	Code		Ø A	B	C	Ø D	L	CH 1	CH 2
	mm	Male Tip	Female Coupler	mm	mm	mm	mm	mm	mm	mm
04	5	JM2504	JF2504	1/4" NPT	32.5	60.8	28	74.5	19	22
06	7	JM2506	JF2506	3/8" NPT	40	72.3	35	86.9	32	24

Performance Data

Size Base	Ø DN		Max. Working Pressure		Burst Pressure		Weight Kg	
	mm	inch	bar	psi	bar	psi	Male Tip	Female Coupler
04	5	1/4"	700	10150	2200	31900	0.080	0.150
06	7	3/8"	700	10150	1850	26825	0.120	0.200