

Series N

Quick Disconnect Couplings

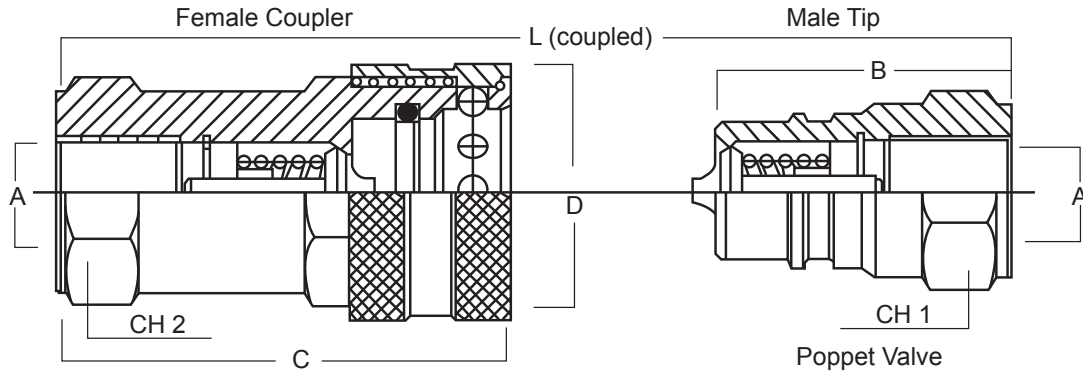


Series N

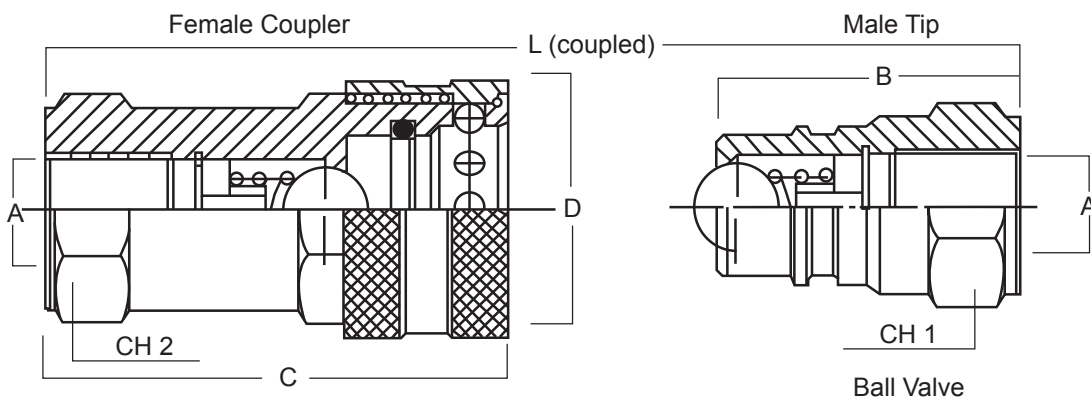
Series N design, also known as agricultural interchange, is probably the most popular coupling design worldwide on agricultural applications.

The 1/2" size is identical to Series A, ISO 7241-A interchangeable.

Available with both poppet and ball style valve.



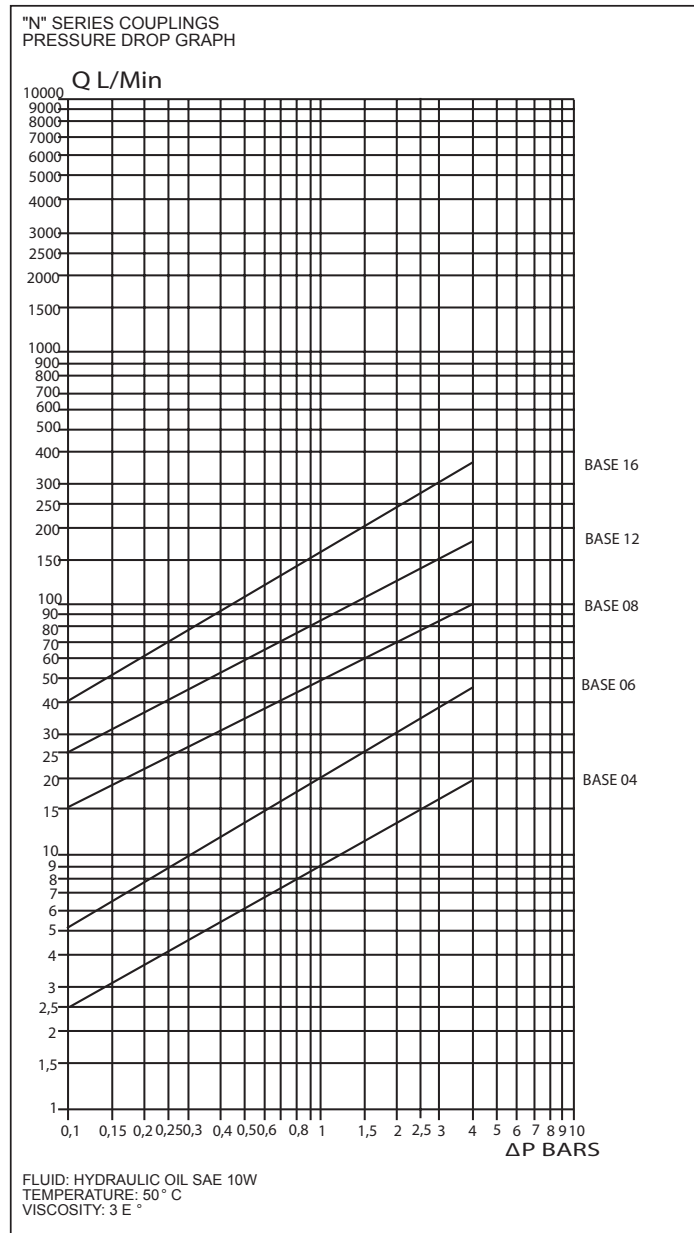
Dimensions										
Size Base	Ø DN mm	Code		Ø A	B mm	C mm	Ø D mm	L mm	CH 1 mm	CH 2 mm
		Male Tip	Female Coupler							
04	6	NM1004	NF1004	1/4" BSP	35	52	27	70.5	19	21
06	10	NM1006	NF1006	3/8" BSP	39	60.5	31	79.5	22	24
08	12	AM1008	AF1008	1/2" BSP	46	67.5	38	92	27	30
12	20	NM1012	NF1012	3/4" BSP	53	82	46	106	34	38
16	25	NM1016	NF1016	1" BSP	58	95	55	120	41	45



Dimensions										
Size Base	Ø DN mm	Code		Ø A	B mm	C mm	Ø D mm	L mm	CH 1 mm	CH 2 mm
		Male Tip	Female Coupler							
04	6	NM2004	NF2004	1/4" BSP	35	52	27	70.5	19	21
06	10	NM2006	NF2006	3/8" BSP	39	60.5	31	79.5	22	24
08	12	AM008	AF2008	1/2" BSP	46	67.5	38	92	27	30
12	20	NM2012	NF2012	3/4" BSP	53	82	46	106	34	38
16	25	NM2016	NF2016	1" BSP	58	95	55	120	41	45

Series N

Quick Disconnect Couplings



Performance Data

Size Base	Ø DN		Max. Working Pressure		Burst Pressure		Weight Kg	
	mm	inch	bar	psi	bar	psi	Male Tip	Female Coupler
04	6	1/4"	350	5075	1400	20300	0.04	.010
06	10	3/8"	315	4567	1260	18270	0.07	0.20
08	12	1/2"	250	3625	1000	14500	0.09	0.26
12	20	3/4"	250	3625	1000	14500	0.18	0.50
16	25	1"	230	3335	920	13340	0.23	0.76

Series N

Quick Disconnect Couplings



Accessories

Part Number (Complete Coupler)	Seal Kit	Dust Cap (Protects Tip)	Dust Plug (Protects Body)	Colour
NC1004	NCSK1004	TNFR04	TNMR04	
NC1006	NCSK1006	TNFR06	TNMR06	
AC2008	ACSK1008	TAFR08	TAMR08	
NC1012	NCSK1012	TNFR12	TNMR12	
NC1016	NCSK1016	TNFR16	TNMR16	

Replacement Seal Kits

Replacement seal kits are available for most models. Leakage between the female body half (coupling) and the male tip half (nipple) is an indication that the body o-ring needs replacement.



Dust Caps & Dust Plugs

Protective dust caps and dust plugs are available in rubber in a variety of sizes. They should be used whenever possible to help reduce contamination of the hydraulic system and improve service life of the body half (coupling) and the mating tip half (nipple).

