

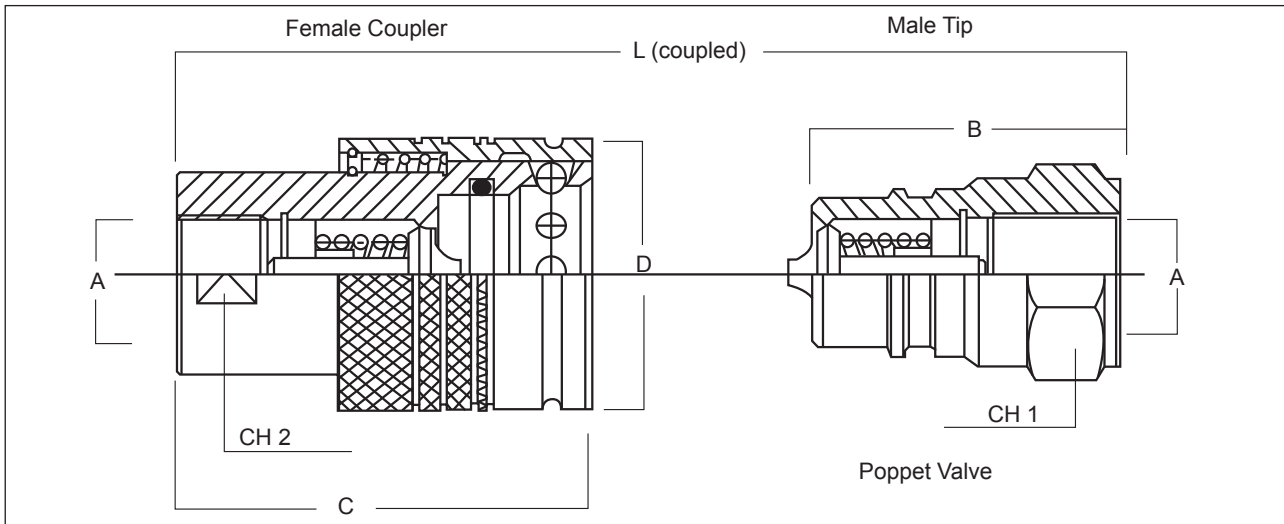
# Series P

Quick Disconnect Couplings

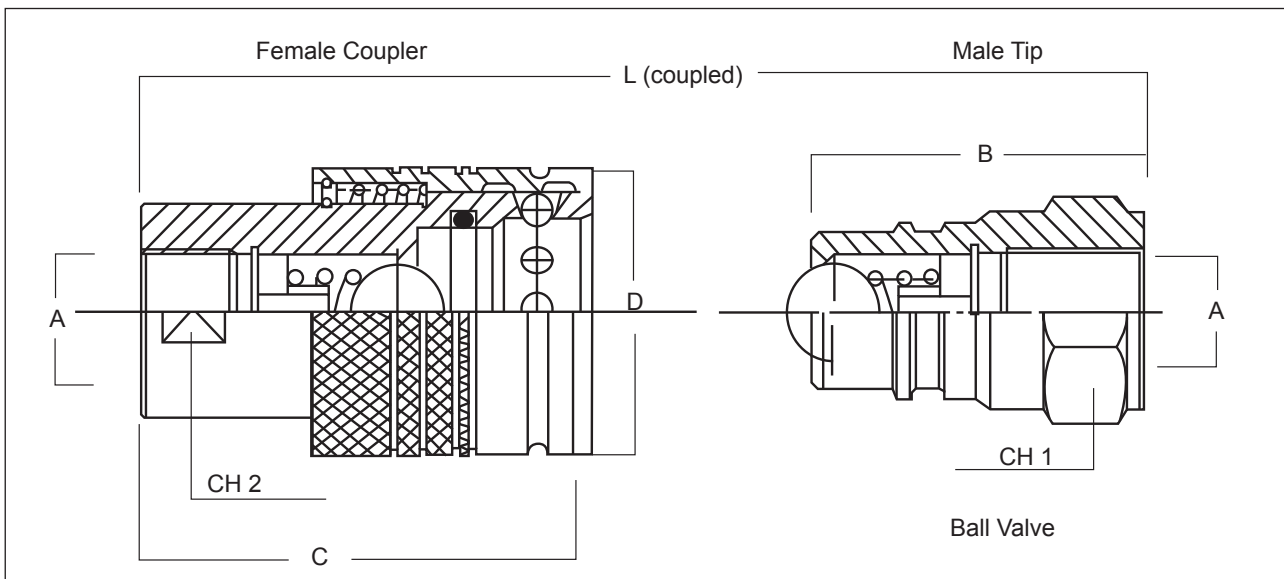


## Series P

Series P push-pull couplings are interchangeable according to ISO 7241-A and ISO 5675.



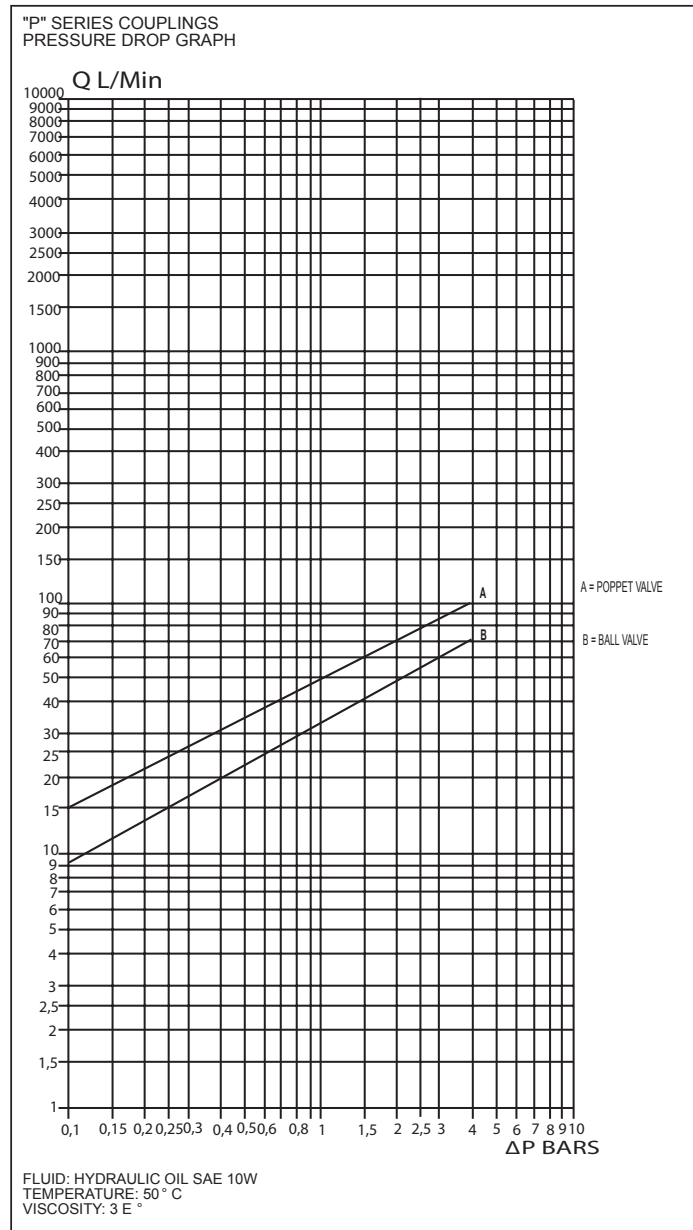
Dimensions										
Size Base	Ø DN mm	Code		Ø A	B mm	C mm	Ø D mm	L mm	CH 1 mm	CH 2 mm
		Male Tip	Female Coupler							
08	12	AM1008	PF1008	1/2" BSP	46	67	38	92	27	24



Dimensions										
Size Base	Ø DN mm	Code		Ø A	B mm	C mm	Ø D mm	L mm	CH 1 mm	CH 2 mm
		Male Tip	Female Coupler							
08	12	AM2008	PF2008	1/2" BSP	46	67	38	92	27	24

# Series P

Quick Disconnect Couplings



## Performance Data

Size Base	Ø DN		Max. Working Pressure		Burst Pressure		Weight Kg	
	mm	inch	bar	psi	bar	psi	Male Tip	Female Coupler
08	12	1/2"	250	3625	1000	14500	0.090	0.200