

FF49 Series

Quick Disconnect Couplings, Flat Face



FF49 Series (3/8" - 3/4") - Flush Face, HTMA Interchange

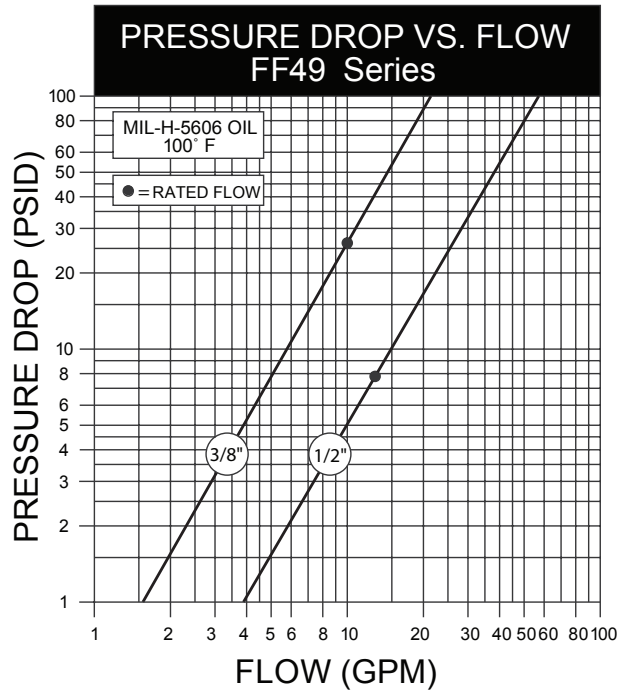
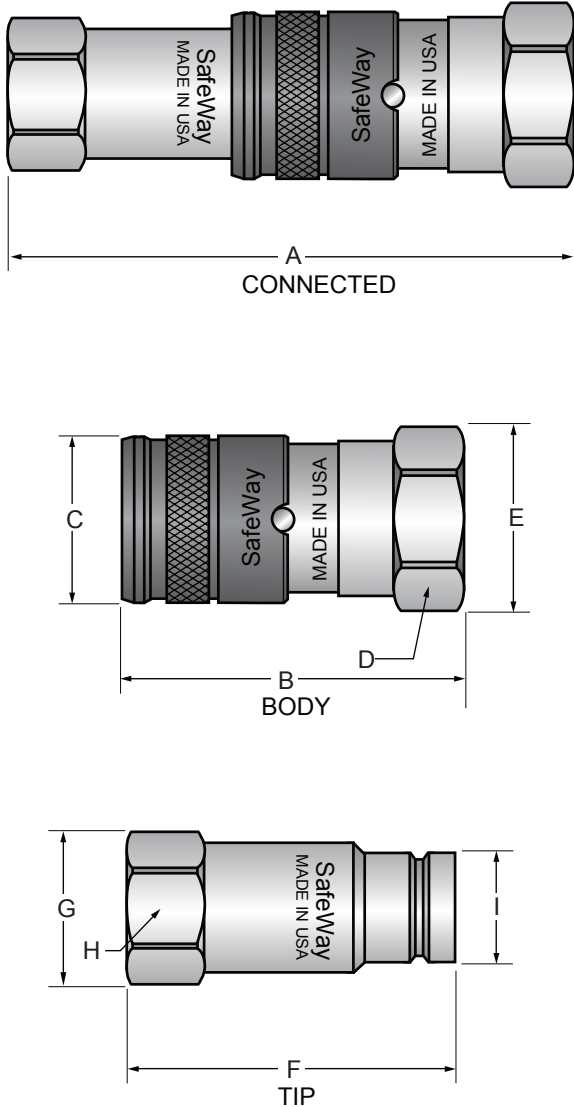
The FF49 Series quick couplings provide rugged-flush-face valving for non-spill dry beaks and allow one-hand push-to-connect with safety sleeve-lock standard. The 3/8" size meets HTMA dimensional standards while providing significantly higher pressure containment than other brands (10,000 operating psi). The FF49-6 is rated at 6,000 operating psi and has a significantly smaller footprint than other brands. Ideally suited for use in hydraulic hand tools, overhead bucket hoists, skid steer loaders and wherever spillage can constitute a safety or environmental hazard.

Performance Data

Complete Coupler Code	Nominal Body Size (in.)	Thread Size NPT	Body (Female) Code	Tip (Male) Code	Rated Pressure		Rated Flow l/min	Weight Kg.
					Bar	PSI		
FF49-3	3/8"	3/8" NPT	FF495-3	FF491-3	690	10,000	38	0.35
FF49-4	3/8"	1/2" NPT	FF495-4	FF491-4	690	10,000	38	0.29
FF49-6	1/2"	3/4" NPT	FF495-6	FF491-6	414	6,000	45	0.18

FF49 Series

Quick Disconnect Couplings, Flat Face



Dimensions (inches)									
Complete Coupler Number	Overall Length	Body Length	Diameter	Hex	Diameter	Tip Length	Diameter	Hex	Tip Dia.
	A	B	C	D	E	F	G	H	I
FF49-3	4.19	2.47	1.19	1.12	1.24	2.35	1.04	0.97	0.78
FF49-4	4.54	2.67	1.19	1.12	1.24	2.50	1.18	1.06	0.78
FF49-6	5.20	3.06	1.50	1.38	1.57	2.81	1.55	1.38	0.96

FF49 Series



Quick Disconnect Couplings, Flat Face

Accessories

Part Number	Seal Kit	Dust Cap (Protects Tip) Rubber with Chain	Dust Plug (Protects Body) Rubber with Chain
FF49-3	FF491-3RK	FF499-3	FF494-3
FF49-4	FF491-3RK	FF499-3	FF494-3
FF49-6	FF491-6-RK	-	-

Replacement Seal Kits

Both replacement seal kits and individual o-rings and back-up rings are available for most models. Leakage between the female body half (coupling) and the male tip half (nipple) is an indication that the body o-ring needs replacement.



Dust Caps & Dust Plugs

Protective dust caps and dust plugs are available in rubber or metal in a variety of sizes. They should be used whenever possible to help reduce contamination of the hydraulic system and improve service life of the body half (coupling) and the mating tip half (nipple).

