

S40 Series

Quick Disconnect Couplings, Standard Interchange



S40 Series (1/4" - 1/2") - Standard Interchange

Dimensionally interchangeable with the S20 series, this general purpose coupler features a two-way sleeve deigned to allow one hand hook-up and break-away when clamp or bulkhead mounted.

The S40 series is available with either a rugged ball valve or leak-free, high flow poppet valve.

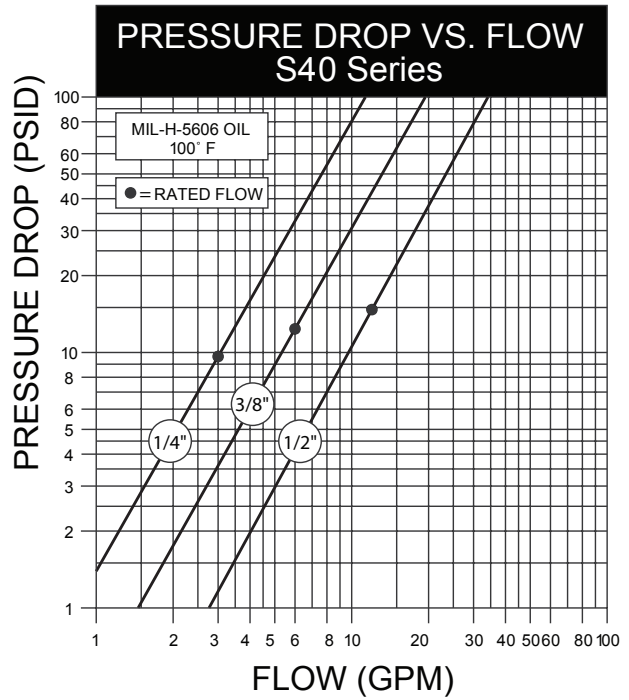
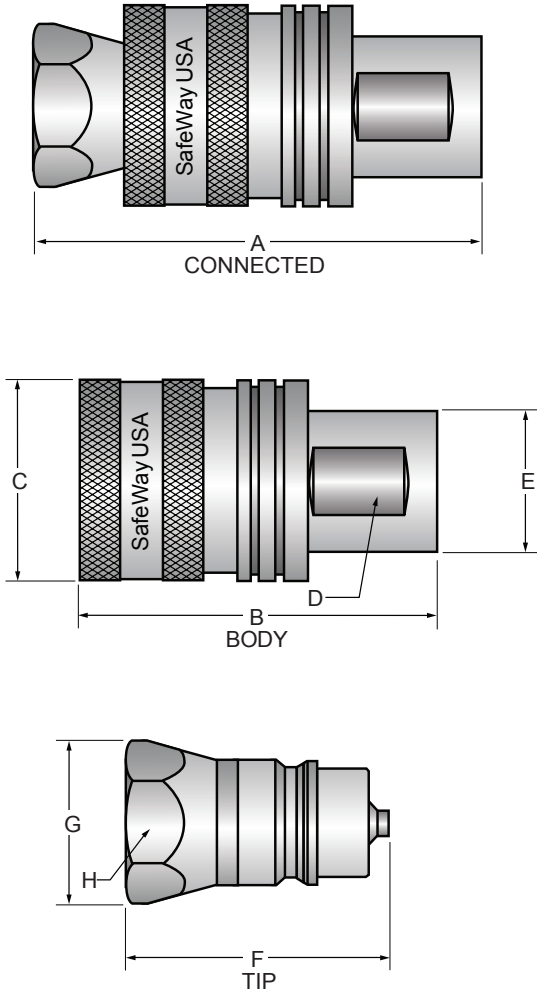
Performance Data

Complete Coupler Code	Nominal Body Size (in.)	Thread Size NPT	Body (Female) Code	Tip (Male) Code	Rated Pressure		Check Type	Weight Kg.
					Bar	PSI		
S40-2	1/4"	1/4" NPT	S45-2	S41-2	207	3000	Ball	0.17
S40-2P	1/4"	1/4" NPT	S45-2P	S41-2P	207	3000	Poppet	0.17
S40-3	3/8"	3/8" NPT	S45-3	S41-3	207	3000	Ball	0.32
S40-4	1/2"	1/2" NPT	S45-4	S71-4	207	3000	Ball	0.38
S40-4P	1/2"	1/2" NPT	S45-4P	S71-4P	207	3000	Poppet	0.38
S40-15	1/2"	3/4" UNO	S45-15	S71-15	207	3000	Ball	0.39
S40-15P	1/2"	3/4" UNO	S45-15P	S71-15P	207	3000	Poppet	0.39
S40-6	1/2"	3/4" NPT	S45-6	S71-6	207	3000	Ball	0.43
S40-6P	1/2"	3/4" NPT	S45-6P	S71-6P	207	3000	Poppet	0.43

S40 Series



Quick Disconnect Couplings, Standard Interchange



Dimensions (inches)								
Complete Coupler Number	Overall Length	Body Length	Diameter	Wrench Flat	Diameter	Tip Length	Diameter	Hex
	A	B	C	D	E	F	G	H
S40-2	2.52	1.94	1.07	0.75	0.84	1.32	0.86	0.75
S40-2P	2.52	1.94	1.07	0.75	0.84	1.37	0.86	0.75
S40-3	3.03	2.34	1.32	0.87	1.06	1.58	1.08	0.94
S40-4	3.66	2.68	1.50	0.93	1.06	1.94	1.22	1.06
S40-4P	3.66	2.68	1.50	0.93	1.06	1.96	1.22	1.06
S40-15	3.66	2.68	1.50	0.93	1.06	1.94	1.22	1.06
S40-15P	3.66	2.68	1.50	0.93	1.06	1.96	1.22	1.06
S40-6	4.07	2.90	1.50	1.25	1.43	2.16	1.43	1.25
S40-6P	4.07	2.90	1.50	1.25	1.43	2.18	1.43	1.25

S40 Series



Quick Disconnect Couplings, Standard Interchange

Accessories

Part Number	Body O-Ring	Dust Cap (Protects Tip) Rubber with Chain	Dust Plug (Protects Body) Rubber with Chain	Clamp	Bulkhead Ring
S40-2 (P)	S460-2	S49-2	S44-2		S43-2
S40-3 (P)	S460-3	S49-3	S44-3	S42-3	S43-3
S40-4 (P)	S460-4	S49-4	S44-4	S42-4	S43-4
S40-15 (P)	S460-4	S49-4	S44-4	S42-4	S43-4
S40-6 (P)	S460-4	S49-4	S44-4	S42-4	S43-4

Replacement Seal Kits

Both replacement seal kits and individual o-rings and back-up rings are available for most models. Leakage between the female body half (coupling) and the male tip half (nipple) is an indication that the body o-ring needs replacement.



Dust Caps & Dust Plugs

Protective dust caps and dust plugs are available in rubber or metal in a variety of sizes. They should be used whenever possible to help reduce contamination of the hydraulic system and improve service life of the body half (coupling) and the mating tip half (nipple).



Break-away Clamps

Safeway's heavy-duty double break-away clamps allow one-hand connection when used with two-way sleeve style agricultural quick couplings. They also allow implement break-away when used with either one-way or two-way sleeve agricultural designs. Double break-away clamps are available for 3/8" and 1/2" body size agricultural quick couplings. Bulkhead mounting rings provide for bulkhead mounting (up to 1/8" thick) of S40 Series and S70 Series female couplers.

