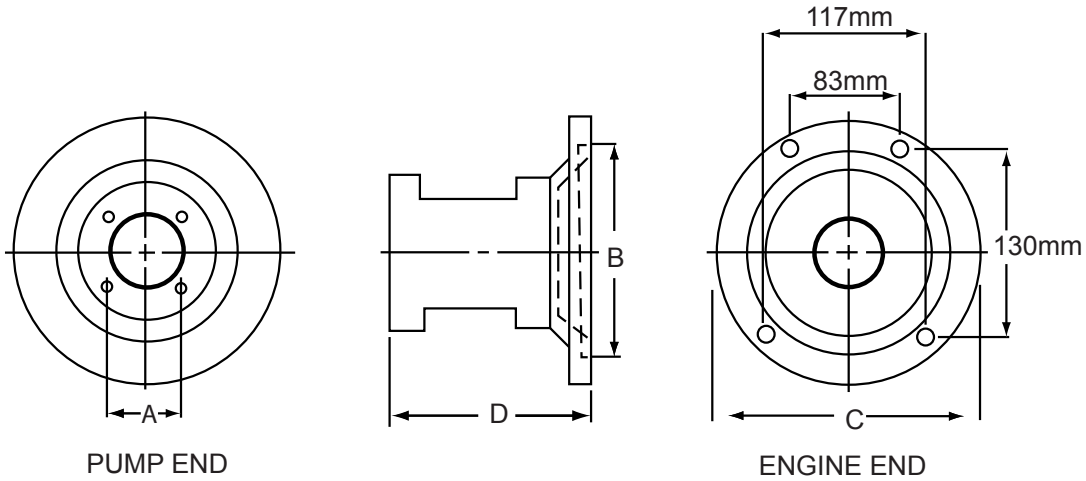


Bell Housings

Petrol Engines



BF3 - BF10



Dimensions (mm)	
A	46-51
B	146
C	216
D	143

Adapts To:	
Engines	Pumps
Briggs & Stratton 6-8 HP aluminium engines	4171 4 bolt with 46mm dia pilot
Kohler 6-8 HP	SAE AA 2 bolt with 50mm dia pilot
Wisconsin 6-12 HP	
Others with similar mounting - where combined lengths of shaft of engine and pump is less than 143mm or less, including coupling	

BF4

