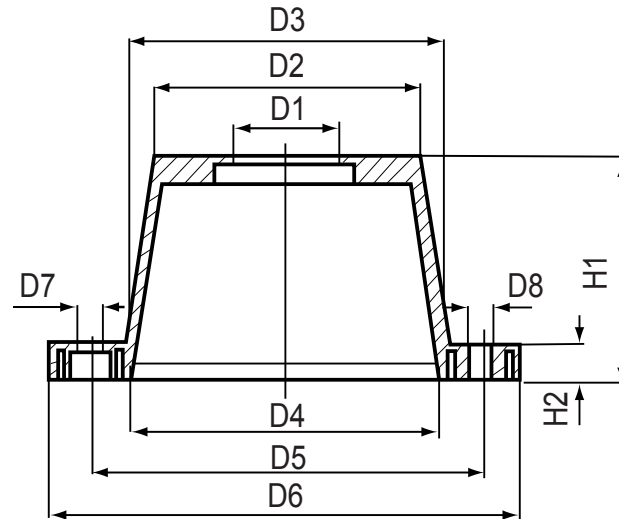


Bell Housings

Electric Motor / SAE - ISO Pump



Monobloc bell-housing



Dimensional Details (mm)

Motor Frame	SAE Pump Mount	D1 min	D2	D3	D4	D5	D6	D7	D8	H1	H2	Bell Housing Stock Code
D80/90	AA	45	130	137	130	165	200	12	M10	95	16	TH20A508A
D80/90	A	63	130	137	130	165	200	12	M10	126	16	TH1825A
D100/112	AA	50	176	186	180	215	250	14	M12	112	21	THB25508A
D100/112	A	63	176	186	180	215	250	14	M12	136	21	TH2825A
D100/112	B	63	176	186	180	215	250	14	M12	136	21	TH2101A
D132	A	80	230	235	230	265	300	14	M12	170	21	TH3825A
D132	B	80	230	235	230	265	300	14	M12	170	21	TH3101A
D160/180	A	80	240	253	250	300	350	18	M16	195	25	TH4825A
D160/180	B	80	240	253	250	300	350	18	M16	195	25	TH4101A
D160/180	C	80	240	253	250	300	350	18	M16	195	25	TH4127A

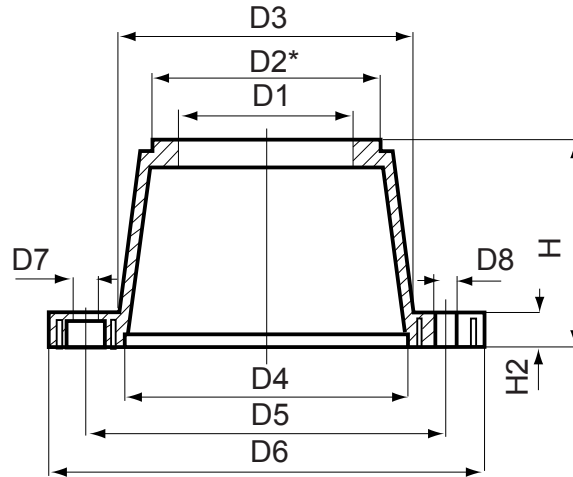
Bell Housings

Electric Motor / SAE - ISO Pump



Base bell-housing

* It depends upon the selected flange



Dimensional Details (mm)

Motor Frame	Pump Mount	D1	D2	D3	D4	D5	D6	D7	D8	H1	H2	Bell Housing Stock Code
D80/90	ISO100 4 Bolt	63	126	137	130	165	200	12	M10	113	16	B20Q1A100B
	SAE B 2 Bolt											B20Q1A101A
D160/180	ISO125 4 Bolt	190	237	253	250	300	350	18	M16	155	25	B35T1B125A
	ISO160 4 Bolt											B35T1B160A
	SAE C 2 Bolt											B35T1D127A
	SAE C 4 Bolt											B35T1D127B
	ISO160 4 Bolt											B35T1D160A
D200	SAE B 2 Bolt	190	237	295	300	350	400	18	M16	155	25	B40T1D101A
	SAE C 2 Bolt											B40T1D127A
	SAE C 4 Bolt											B40T1D127B
	ISO160 4 Bolt											B40T1D160A
D225	ISO160 4 Bolt	190	237	350	350	400	450	18	M16	185	25	B45T1A160A
	SAE B 2 Bolt											B45T1D101A
	SAE C 2 Bolt											B45T1D127A
	SAE C 4 Bolt											B45T1D127B
	SAE B 2 Bolt											B45T1G101A
D250/280	SAE C 2 Bolt	190	237	450	450	500	550	18	M16	186	30	B55D40T1A127A

Bell Housings

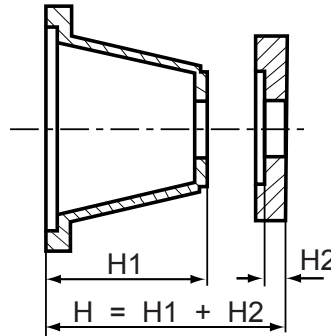
Electric Motor / SAE - ISO Pump



Bell Housing - Composite Version

BASE + FLANGE

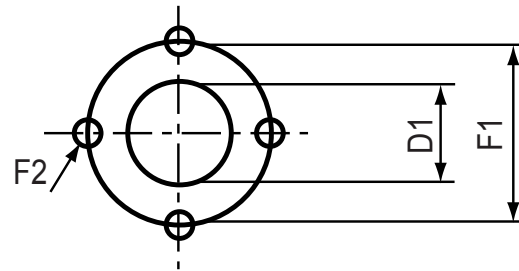
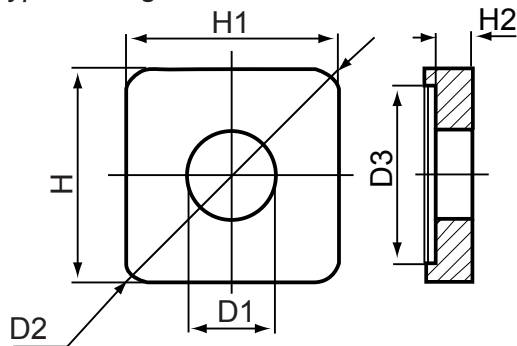
Motor side



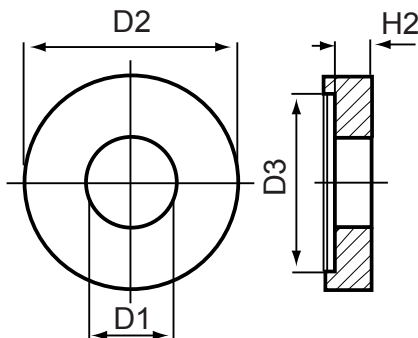
Pump side

Bell Housing Base	Flanges					
	Dimensions mm					
Type	Type	D1 min	D2	D3	H1	H2
B20	Q1A	60	170	126	130	17
B35 - B40 - B45 - B55	T1A	80	247	237	-	65
	T1B					60
	T1D					50
	T1G					35

Type T flanges



Type T flanges



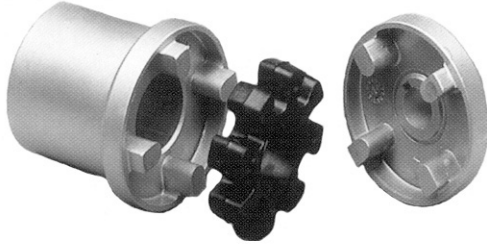
Code	D1	F1	F2	No. of Holes
100B	100	125	M10	4
101A	101.6	146	M12	2
125A	125	160	M12	4
127A	127	181	M16	2
127B	127	162	M12	4
160A	160	200	M16	4

Drive Couplings



SAE 2 Bolt Mount Pumps

Features

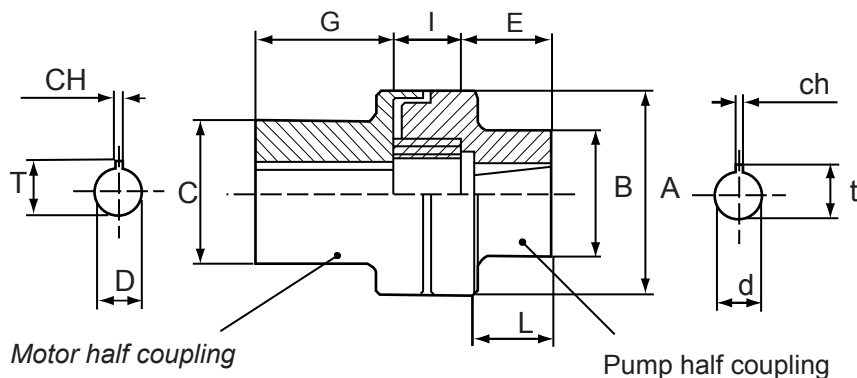


- ND & NS flexible couplings are manufactured from aluminium alloy with an oil proof rubber element providing silent operation and a long life.

- Permissible torque transmission should be calculated from the table shown on the Bell Housings/Couplings General Information page.

Dimensional Details (mm)

Motor Coupling Half					Pump Coupling Half						
Stock Code	A	C	G	D	Stock Code	A	B	E	I	d	ch
ND48C	48	38	54	19	NS48CD62	48	38	54	16	12.7	3.18
ND48D	48	38	54	24	NS48CD10	48	38	54	16	15.88	4.00
ND65A	65	42	47.5	19	NS65PD62	65	34	21.5	18	12.7	3.18
ND65B	65	48	47.5	24	ND65QD10	65	34	31.5	18	15.88	4.00
ND65C	65	53	57.5	28	ND65HD22	65	42	50	18	19.05	4.76
					ND65HD28	65	42	50	18	22.22	6.35
ND86A	86	55	60	28	ND86PD10	86	48	27	20	15.88	4.00
ND86B	86	73	88	38	ND86HD22	86	55	48	20	19.05	4.76
					ND86HD99	86	55	48	20	22.22	6.35
					ND86KD35	86	64	68	20	25.4	6.35
ND108B	108	84	110	42	NS108A3D10	108	64	70	24	15.88	4.00
ND108C	108	100	110	48	ND108HD22	108	64	48	24	19.05	4.76
ND108D	108	100	110	55	ND108HD99	108	64	48	24	22.22	6.35
					NS108A3D35	108	64	70	24	25.4	6.35
					ND108HD98	108	64	48	24	31.75	7.94
ND143C	143	137	140	60	NS143PD99	143	75	52	29	22.22	6.35
					NS143PD35	143	75	52	29	25.4	6.35
					NS143PD98	143	75	52	29	31.75	7.94



Recommended Assemblies



SAE 2 Bolt Mount Pumps

Electric Motor Frame Size	2 Bolt Pump Mount & Shaft	Bell Housing	Motor Coupling Half	Rubber Spider	Pump Coupling Half
D80	SAE AA 1/2" DIA	TH20A508A	ND48C	R42	NS48CD62
D80	SAE AA 1/2" DIA	TH20A508A	ND65A	R62	NS65PD62
D80	SAE A 5/8" DIA	TH1825A	ND48C	R42	NS48CD10
D80	SAE A 5/8" DIA	TH1825A	ND65A	R62	ND65QD10
D80	SAE A 3/4" DIA	TH1825A	ND65A	R62	ND65HD22
D80	SAE B 7/8" DIA	B20Q1A101A	ND65A	R62	ND65HD99
D90	SAE AA 1/2" DIA	TH20A508A	ND48D	R42	NS48CD62
D90	SAE AA 1/2" DIA	TH20A508A	ND65B	R62	NS65PD62
D90	SAE A 5/8" DIA	TH1825A	ND65B	R62	ND65QD10
D90	SAE A 3/4" DIA	TH1825A	ND65B	R62	ND65HD22
D90	SAE B 7/8" DIA	B20Q1A101A	ND65B	R62	ND65HD99
D100/112	SAE AA 1/2" DIA	THB25508A	ND65C	R62	NS65PD62
D100/112	SAE A 5/8" DIA	TH2825A	ND86A	R82	ND86PD10
D100/112	SAE A 3/4" DIA	TH2825A	ND86A	R82	ND86HD22
D100/112	SAE B 7/8" DIA	TH2101A	ND86A	R82	ND86HD99
D100/112	SAE B 1" DIA	TH2101A	ND86A	R82	ND86KD35
D132	SAE A 5/8" DIA	TH3825A	ND86B	R82	ND86PD10
D132	SAE A 3/4" DIA	TH3825A	ND86B	R82	ND86HD22
D132	SAE B 7/8" DIA	TH3101A	ND86B	R82	ND86HD99
D132	SAE B 1" DIA	TH3101A	ND86B	R82	ND86KD35
D160	SAE A 5/8" DIA	TH4825A	ND108B	R103	NS108A3D10
D160	SAE A 3/4" DIA	TH4825A	ND108	R103	ND108HD22
D160	SAE B 7/8" DIA	TH4101A	ND108B	R103	ND108HD99
D160	SAE B 1" DIA	TH4101A	ND108B	R103	NS108A3D35
D160	SAE C 1-1/4" DIA	TH4127A	ND108B	R103	ND108HD98
D180	SAE A 5/8" DIA	TH4825A	ND108C	R103	NS108A3D10
D180	SAE A 3/4" DIA	TH4825A	ND108C	R103	ND108HD22
D180	SAE B 7/8" DIA	TH4101A	ND108C	R103	ND108HD99
D180	SAE B 1" DIA	TH4101A	ND108C	R103	NS108A3D35
D180	SAE C 1-1/4" DIA	TH4127A	ND108C	R103	ND108HD98
D200	SAE B 7/8" DIA	B40T1D101A	ND108D	R103	ND108HD99
D200	SAE B 1" DIA	B40T1D101A	ND108D	R103	NS108A3D35
D200	SAE C 1-1/4" DIA	B40T1D127A	ND108D	R103	ND108HD98
D225	SAE B 7/8" DIA	B45T1D101A	ND143C	R132	NS143PD99
D225	SAE B 1" DIA	B45T1D101A	ND143C	R132	NS143PD35
D225	SAE C 1-1/4" DIA	B45T1D127A	ND143C	R132	NS143PD98
D250		B55D50T1C127A			