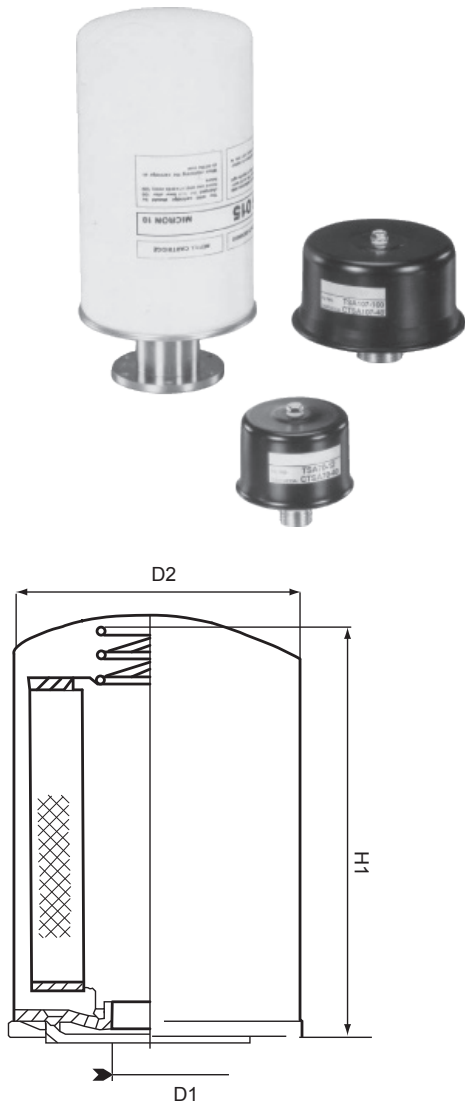


CSA Series

Air Filter

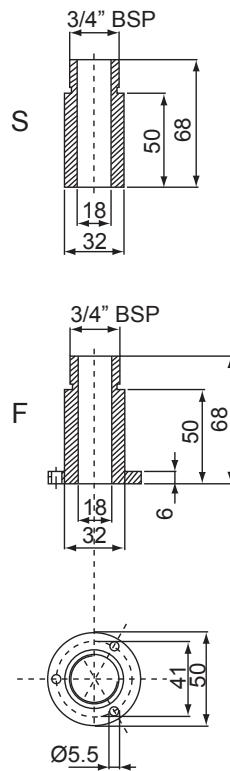


Features

The CSA series air filters are mounted on oil tanks with the aim to filter the air.

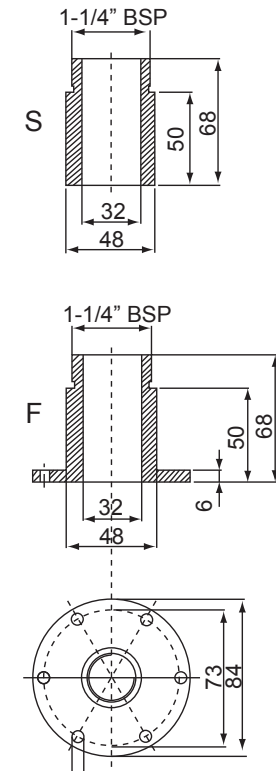
They are formed by a spin-on replacement element that is screwed to a support which can be welded or flanged to the oil tank.

For CSA05



TR1

For CSA10



TR2

How to Order

CSA
Series

05

Dimensions			
Code	D1	D2	H1
05	3/4" BSPP	98	145
06	3/4" BSPP	98	165
10	1-1/4" BSPP	132	180
15	1-1/4" BSPP	132	205

Filtration Elements	
A	Paper treated with resin 10 micron
B	Paper treated with resin 25 micron

Style	
S	Stem
F	Flange