

# CT Series

Reservoir Filler Breather Caps



## CTRC - Oil filler with air breather - Polyamide 66

### Technical Details

Filler breather with strainer basket for tank-top installation.  
Assembly contains 3 parts:

**Top Cap with breather** made from Polyamide 66, black colour. Contained in the cap is the filter made out of Polyurethane, with a Micron rating of 50 microns. The cap has an internal thread and screws onto the main body, located in the tank.

**Main Body** manufactured from technopolymer black contains threaded locking ring and inside locking ring. The main body is placed in a pre-drilled hole (55mm min., max. 55.3mm diameter) in the top of the reservoir.

The wall thickness must not exceed 8mm and not be less than 2mm.

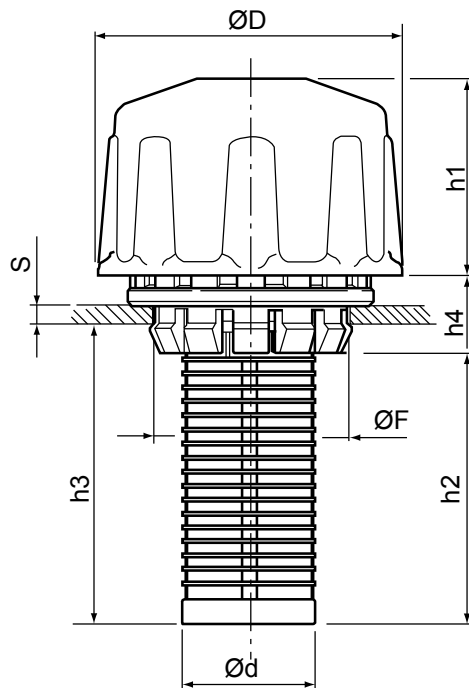
With this filler breather drilling and tapping of mounting holes is not needed.

A safety chain is available, which connects the cap to the body, preventing misplacement of cap when removed.

**Strainer Basket** material: Polypropilene, coloured black, max operating temperature 80-90°C (176-194 F).

Seal between tank and main body - O-ring 70 shore.

Airflow capacity at a pressure of 50 m bar (0.73 psi) = 300 litres/minute.



Code	D	h1	h2	h3	h4	d	ØF	S
CTRC	88	55	80	88	21	38	55	2-8mm
Dimensions in mm.								