

NY Series

Oil Filler Air Breather



Technical Details

Thermoplastic Polyamide 66 material.

Maximum operating temperature 100°C.

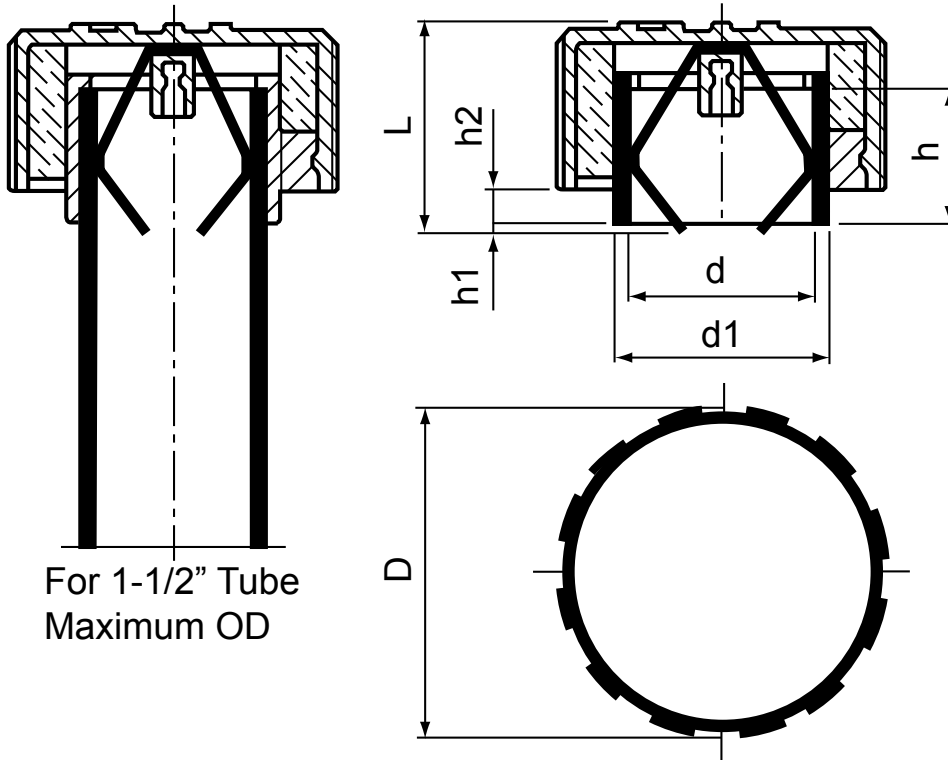
Compatible with petroleum based fluids, gasoline, grease.

Spring steel plated clip.

10 or 40 micron polyurethane elements.

Maximum outside diameter 39mm.

Optional dipstick available.



Code	d	h	D	L	d1	h1	h2	Weight
NYP024	39	28	70	48	45	3	7	67gm
Dimensions in mm.								