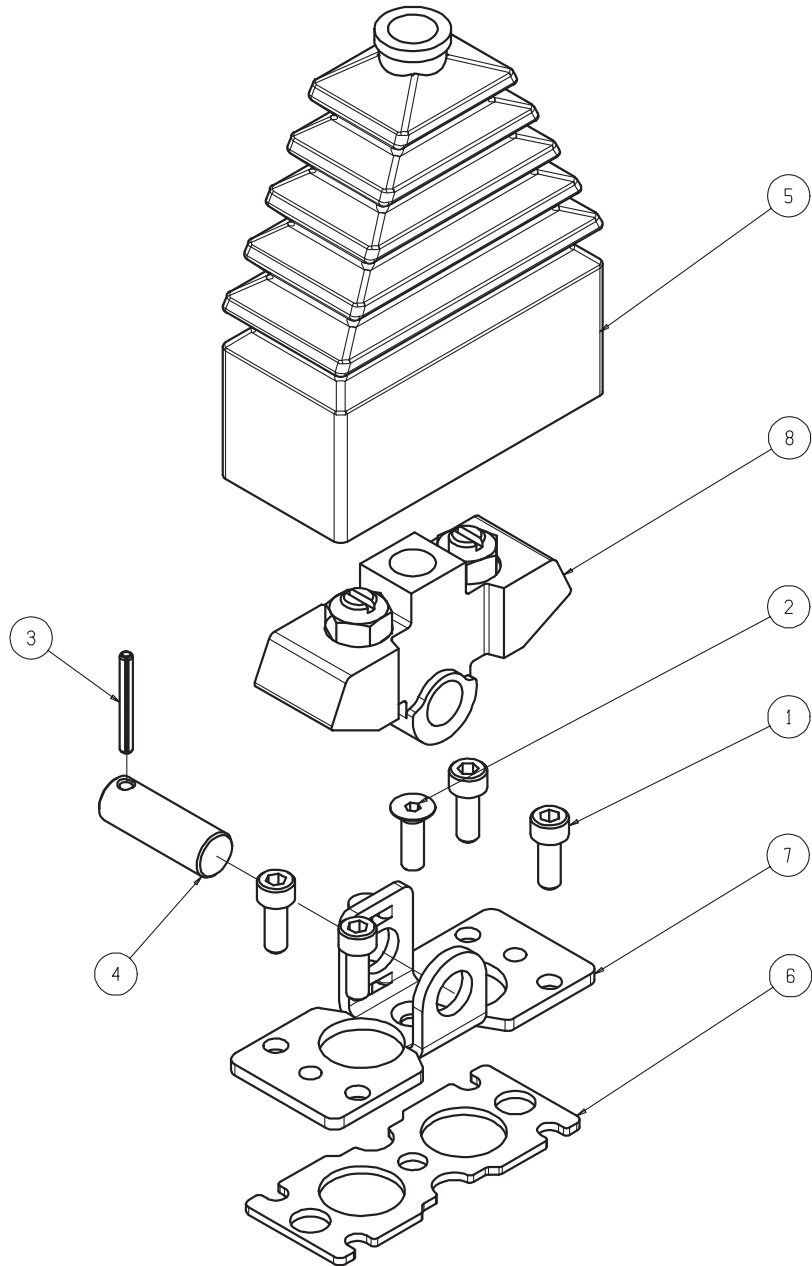


# HYDROCONTROL MODEL RCM-(01)



	PART NUMBER	DESCRIPTION	QUANTITY
1	411020536	Screw	4
2	411050503	Screw	1
3	411160305	Roll Pin	1
4	420311001	Pivot Pin	1
5	423403037	Rubber Boot	1
6	423410038	Plate	1
7	423410039	Pivot Plate	1
8	431137001	Rocker Assembly	1
	<b>432237001</b>	<b>Complete Code</b>	