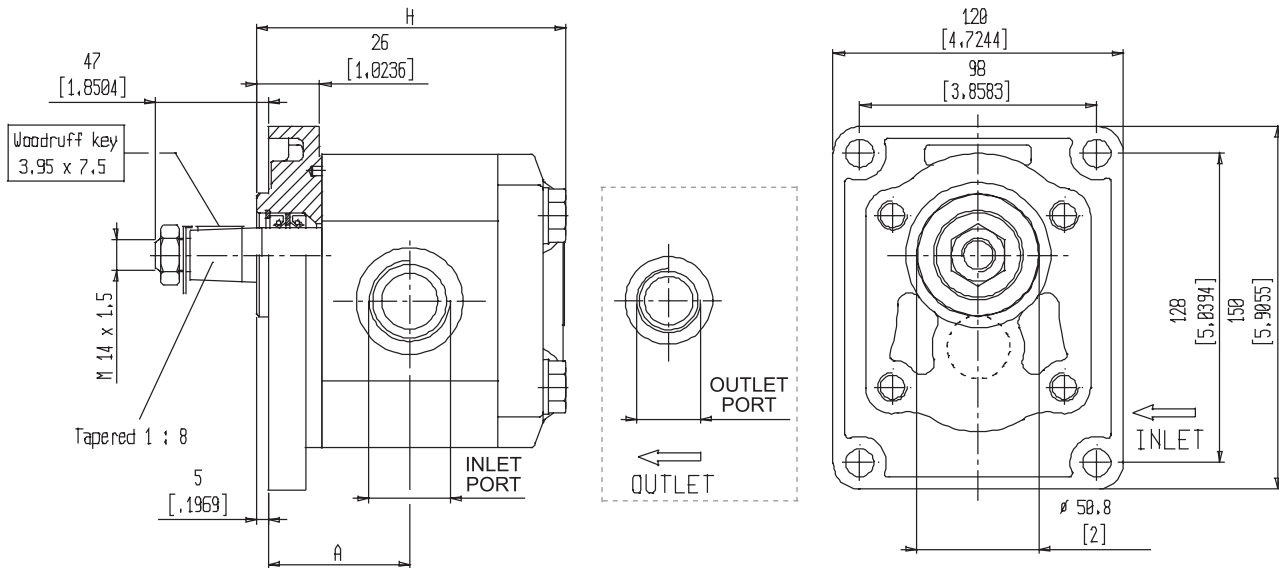


# 25PB Series Gear Pumps



G38P2 - Clockwise and Anti-Clockwise Rotation Codes



Displacement cm <sup>3</sup> /rev - cu.in./rev	Dimensions		INLET Port	OUTLET Port
	A	H		
16/0.97	52.75 [2.08]	120.5 [4.74]	G 3/4 ISO 228 (BSP)	G 1/2 ISO 228 (BSP)
19/1.17	54.25 [2.14]	124.0 [4.88]	G 3/4 ISO 228 (BSP)	G 1/2 ISO 228 (BSP)
22/1.35	56.00 [2.20]	129.0 [5.08]	G 3/4 ISO 228 (BSP)	G 1/2 ISO 228 (BSP)
25/1.53	57.25 [2.25]	131.5 [5.18]	G 1 ISO 228 (BSP)	G 3/4 ISO 228 (BSP)
28/1.68	63.50 [2.50]	144.0 [5.67]	G 1 ISO 228 (BSP)	G 3/4 ISO 228 (BSP)
32/1.97	66.25 [2.61]	149.5 [5.89]	G 1 ISO 228 (BSP)	G 3/4 ISO 228 (BSP)
38/2.32	69.25 [2.73]	155.5 [6.12]	G 1 ISO 228 (BSP)	G 3/4 ISO 228 (BSP)
44/2.69	72.50 [2.85]	162.0 [6.38]	G 1 ISO 228 (BSP)	G 3/4 ISO 228 (BSP)



The pump shown above is for anti-clockwise rotation

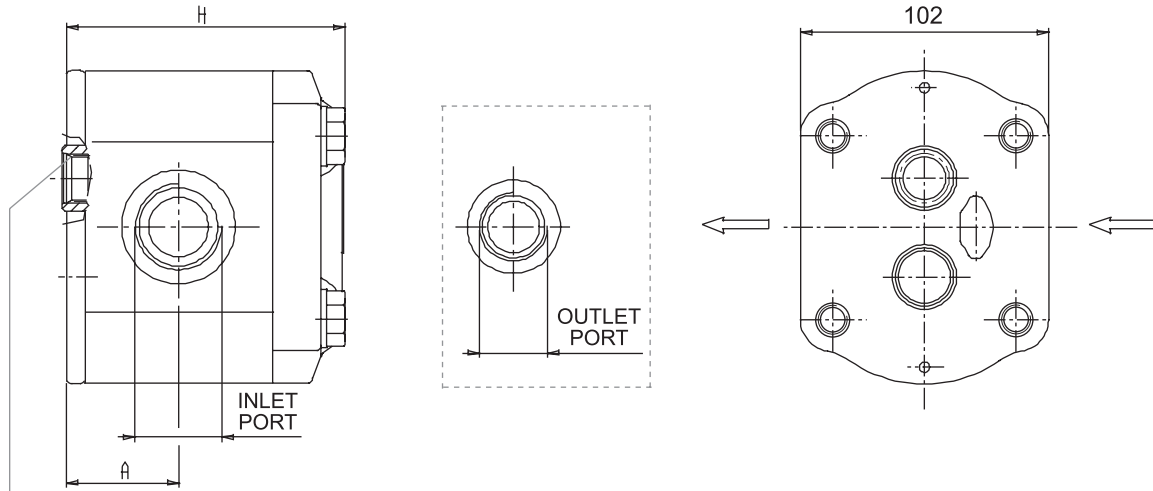
Displacement cm <sup>3</sup> /rev - cu.in./rev	Code 2PB Pump G38P2	Code 2PB Pump G38P2
16/0.97	<b>6138 751 92</b>	<b>6138 751 91</b>
19/1.17	<b>6138 752 02</b>	<b>6138 752 01</b>
22/1.35	<b>6138 746 42</b>	<b>6138 746 41</b>
25/1.53	<b>6138 752 12</b>	<b>6138 752 11</b>
28/1.68	<b>6138 744 02</b>	<b>6138 744 01</b>
32/1.97	<b>6138 702 22</b>	<b>6138 702 21</b>
38/2.32	<b>6138 702 32</b>	<b>6138 702 31</b>
44/2.69	<b>6138 748 22</b>	<b>6138 748 21</b>

# 25PB Series Gear Pumps



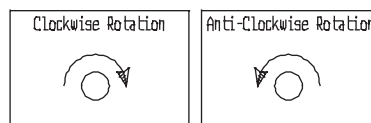
G64R - Clockwise and Anti-Clockwise Rotation Codes

## MIDDLE AND REAR PUMP



Splined N18x1x9H  
DIN 5480

Displacement cm <sup>3</sup> /rev - cu.in./rev	Dimensions		INLET Part	OUTLET Part
	A	H		
	mm. [inch]	mm. [inch]		
5.5/0.21	32.7/1.28	86.8/3.42	G 3/4 ISO 228 (BSP)	G 1/2 ISO 228 (BSP)
8.3/0.32	33.9/1.33	89.2/3.51	G 3/4 ISO 228 (BSP)	G 1/2 ISO 228 (BSP)
11.5/0.45	35.7/1.40	92.8/3.65	G 3/4 ISO 228 (BSP)	G 1/2 ISO 228 (BSP)
13.8/0.54	36.9/1.45	95.2/3.75	G 3/4 ISO 228 (BSP)	G 1/2 ISO 228 (BSP)
16/0.97	38.1/1.5	97.6/3.84	G 3/4 ISO 228 (BSP)	G 1/2 ISO 228 (BSP)
19/1.17	39.85/1.57	101.1/3.98	G 3/4 ISO 228 (BSP)	G 1/2 ISO 228 (BSP)
22/1.35	41.6/1.73	104.6/4.12	G 3/4 ISO 228 (BSP)	G 1/2 ISO 228 (BSP)
25/1.53	42.85/1.68	107.1/4.21	G 1 ISO 228 (BSP)	G 3/4 ISO 228 (BSP)
28/1.68	49.1/1.93	119.6/4.71	G 1 ISO 228 (BSP)	G 3/4 ISO 228 (BSP)
32/1.97	51.85/2.04	125.1/4.92	G 1 ISO 228 (BSP)	G 3/4 ISO 228 (BSP)
38/2.32	54.85/2.16	131.1/5.16	G 1 ISO 228 (BSP)	G 3/4 ISO 228 (BSP)
44/2.69	58.1/2.28	137.6/5.42	G 1 ISO 228 (BSP)	G 3/4 ISO 228 (BSP)



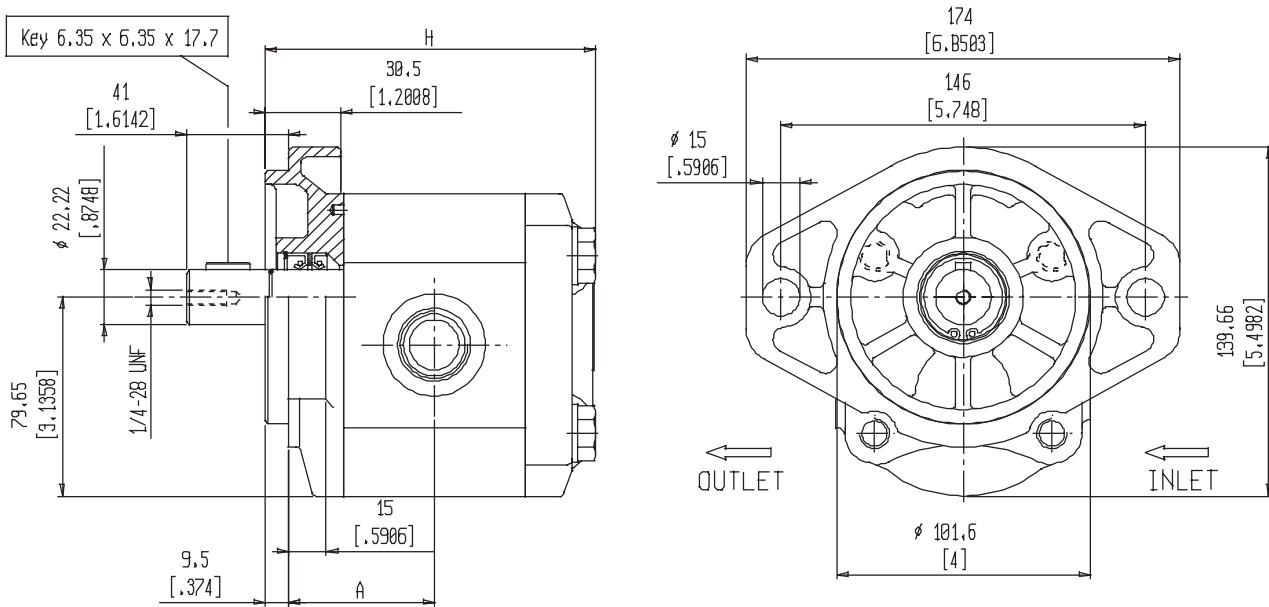
The pump shown above is for anti-clockwise rotation

Displacement cm <sup>3</sup> /rev - cu.in./rev	Code 2PB Pump G64R	Code 2PB Pump G64R
5.5/0.21	<b>6138 752 92</b>	<b>6138 752 91</b>
8.3/0.32	<b>6138 753 02</b>	<b>6138 753 01</b>
11.5/0.45	<b>6138 753 12</b>	<b>6138 753 11</b>
13.8/0.54	<b>6138 753 22</b>	<b>6138 753 21</b>
16/0.97	<b>6138 753 32</b>	<b>6138 753 31</b>
19/1.17	<b>6138 753 42</b>	<b>6138 753 41</b>
22/1.35	<b>6138 753 52</b>	<b>6138 753 51</b>
25/1.53	<b>6138 753 62</b>	<b>6138 753 61</b>
28/1.68	<b>6138 753 72</b>	<b>6138 753 71</b>
32/1.97	<b>6138 753 82</b>	<b>6138 753 81</b>
38/2.32	<b>6138 753 92</b>	<b>6138 753 91</b>
44/2.69	<b>6138 754 02</b>	<b>6138 754 01</b>

# 25PB Series Gear Pumps



R87S3 - Clockwise and Anti-Clockwise Rotation Codes



Displacement cm <sup>3</sup> /rev - cu.in./rev	Dimensions		INLET Port	OUTLET Port
	A	H		
16/0.97	52.75 [2.08]	120.5 [4.74]	1-1/16-12 UN (SAE 12)	7/8-14 UNF (SAE 10)
19/1.17	54.25 [2.14]	124.0 [4.88]	1-1/16-12 UN (SAE 12)	7/8-14 UNF (SAE 10)
22/1.35	56.00 [2.20]	129.0 [5.08]	1-1/16-12 UN (SAE 12)	7/8 14 UNF (SAE 10)
25/1.53	57.25 [2.25]	131.5 [5.18]	1-5/16 12 UNF (SAE 16)	1-1/16 12 UNF (SAE 12)
28/1.68	63.50 [2.50]	144.0 [5.67]	1-5/16 12 UNF (SAE 16)	1-1/16 12 UNF (SAE 12)
32/1.97	66.25 [2.61]	149.5 [5.89]	1-5/16 12 UNF (SAE 16)	1-1/16 12 UNF (SAE 12)
38/2.32	69.25 [2.73]	155.5 [6.12]	1-5/16 12 UNF (SAE 16)	1-1/16 12 UNF (SAE 12)
44/2.69	72.50 [2.85]	162.0 [6.38]	1-5/16 12 UNF (SAE 16)	1-1/16 12 UNF (SAE 12)

Anti-Clockwise Rotation



Clockwise Rotation



The pump shown above is for anti-clockwise rotation

Displacement cm <sup>3</sup> /rev - cu.in./rev	Code 2PB Pump R87S3	Code 2PB Pump R87S3
16/0.97	<b>6138 739 11</b>	<b>6138 739 12</b>
19/1.17	<b>6138 739 31</b>	<b>6138 739 32</b>
22/1.35	<b>6138 712 51</b>	<b>6138 712 52</b>
25/1.53	<b>6138 737 31</b>	<b>6138 737 32</b>
28/1.68	<b>6138 712 71</b>	<b>6138 712 72</b>
32/1.97	<b>6138 712 81</b>	<b>6138 712 82</b>
38/2.32	<b>6138 712 91</b>	<b>6138 712 92</b>
44/2.69	<b>6138 713 01</b>	<b>6138 713 02</b>