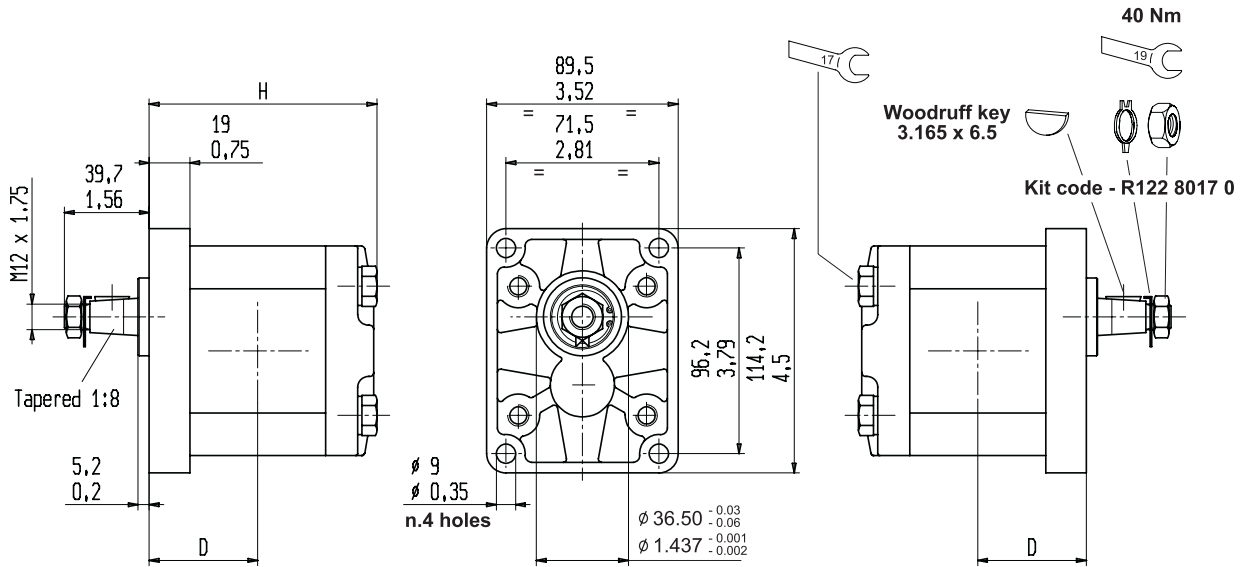


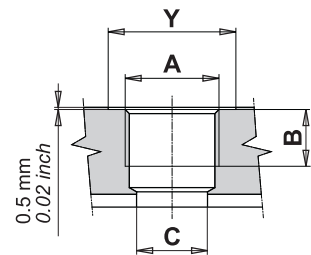
20PE Series Gear Pumps



G28P1 - Clockwise and Anti-Clockwise Rotation Codes



Type	INLET			OUTLET		
	A	B	ØC	A	B	ØC
From 3.2 to 26	G3/4	16 (0.62")	20 (0.78")	G1/2	14 (0.54")	13 (0.51")



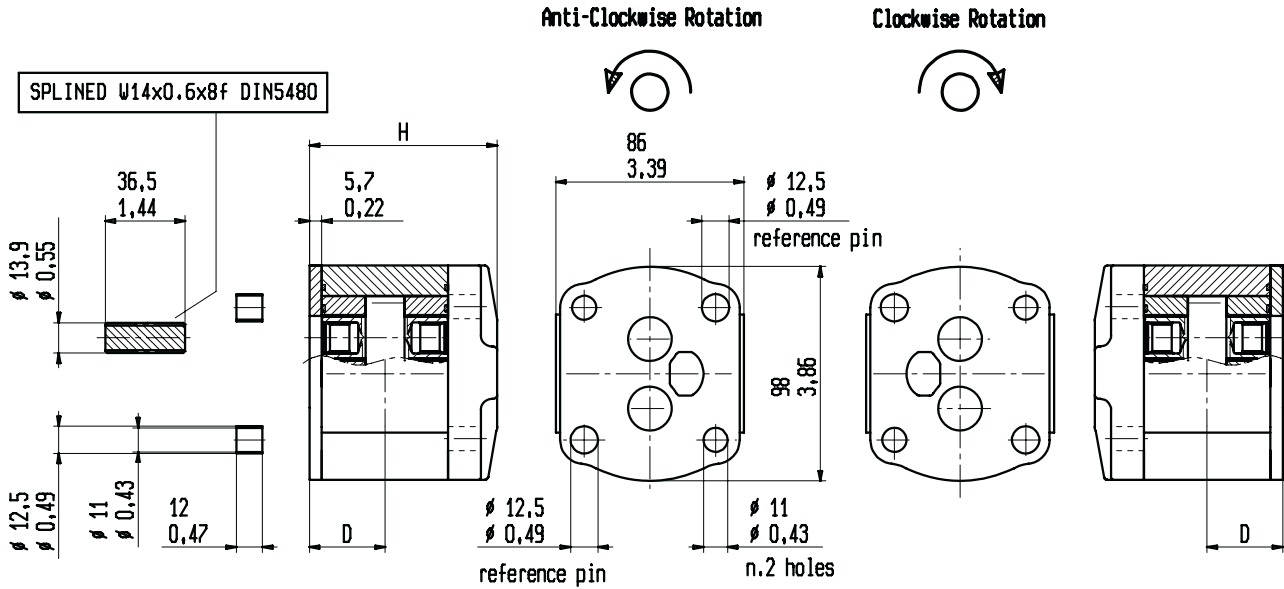
Displacement cm ³ /rev - cu.in./rev	Dimensions		Anti-Clockwise Rotation	Clockwise Rotation
	D	H		
			mm. [inch]	mm. [inch]
4.5/0.27	42.55 [1.67]	90.1 [3.55]	6120 3037 1	6120 3037 2
6.2/0.40	42.55 [1.67]	90.1 [3.55]	6120 3016 1	6120 3016 2
8.3/0.50	45.40 [1.79]	95.8 [3.77]	6120 8205 1	6120 8205 2
11.3/0.68	47.15 [1.86]	102.7 [4.04]	6120 8254 1	6120 8254 2
13.8/0.84	48.85 [1.92]	106.5 [4.19]	6120 3038 1	6120 3038 2
16/1.01	50.70 [1.99]	110.5 [4.35]	6120 3010 1	6120 3010 2
19/1.15	52.75 [2.08]	118.6 [4.66]	6120 3039 1	6120 3039 2
22.5/1.37	59.50 [2.34]	124.0 [4.88]	6120 3040 1	6120 3040 2
26/1.58	62.40 [2.46]	129.8 [5.11]	6120 3041 1	6120 3041 2

20PE Series Gear Pumps

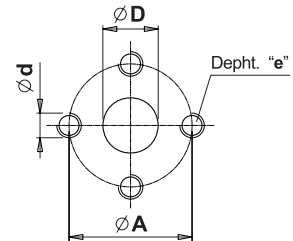


P60R - Clockwise and Anti-Clockwise Rotation Codes

MIDDLE AND REAR PUMP



Type	INLET				OUTLET			
	ØD	ØA	d	e	ØD	ØA	d	e
From 3.2 to 8.3	13 (0.51")	30 (1.19")	M6	13 (0.51")	13 (0.51")	30 (1.19")	M6	13 (0.51")
From 11.3 to 22.5	20 (0.78")	40 (1.56")	M8					
26	22 (0.87")							

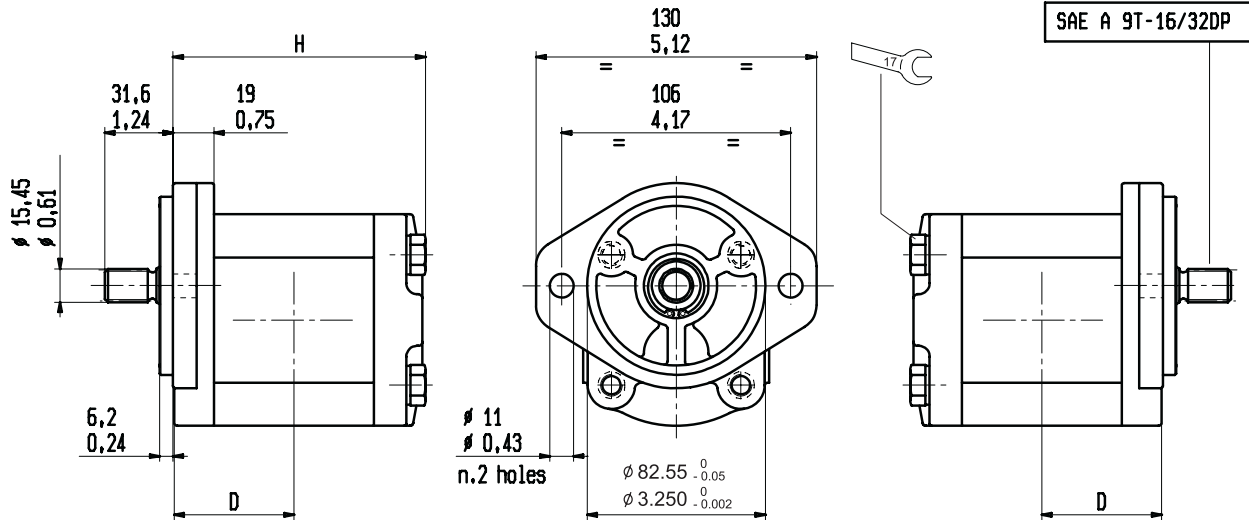


Displacement cm ³ /rev - cu.in./rev	Dimensions		Anti-Clockwise Rotation	Clockwise Rotation
	D mm. [inch]	H mm. [inch]		
4.5/0.27	29.25 [1.15]	75.3 [2.96]	6120 3373 1	6120 3373 2
6.2/0.40	29.25 [1.15]	75.3 [2.96]	6120 3374 1	6120 3374 2
8.3/0.50	32.10 [1.26]	81.0 [3.19]	6120 3375 1	6120 3375 2
11.3/0.68	35.50 [1.39]	87.9 [3.46]	6120 3376 1	6120 3376 2
13.8/0.84	37.45 [1.47]	91.7 [3.61]	6120 3377 1	6120 3377 2
16/1.01	39.45 [1.55]	95.7 [3.77]	6120 3378 1	6120 3378 2
19/1.15	43.50 [1.71]	103.8 [4.09]	6120 3379 1	6120 3379 2
22.5/1.37	46.20 [1.82]	109.2 [4.30]	6120 3380 1	6120 3380 2
26/1.58	49.10 [1.93]	115.0 [4.53]	6120 3381 1	6120 3381 2

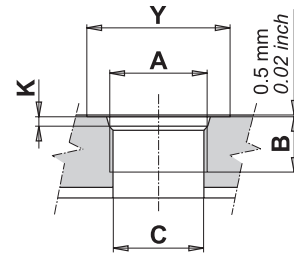
20PE Series Gear Pumps



R52S2 - Clockwise and Anti-Clockwise Rotation Codes



Type	INLET					OUTLET				
	A	B	ØC	Y	K	A	B	ØC	Y	K
From 3.2 to 26	1-1/16 UNF (SAE 12)	16 (0.62")	20 (0.78")	41 (1.61")	3.3 (0.12")	7/8 - 14 UNF (SAE 10)	14 (0.54")	13 (0.51")	34 (1.32")	2.5 (0.10")

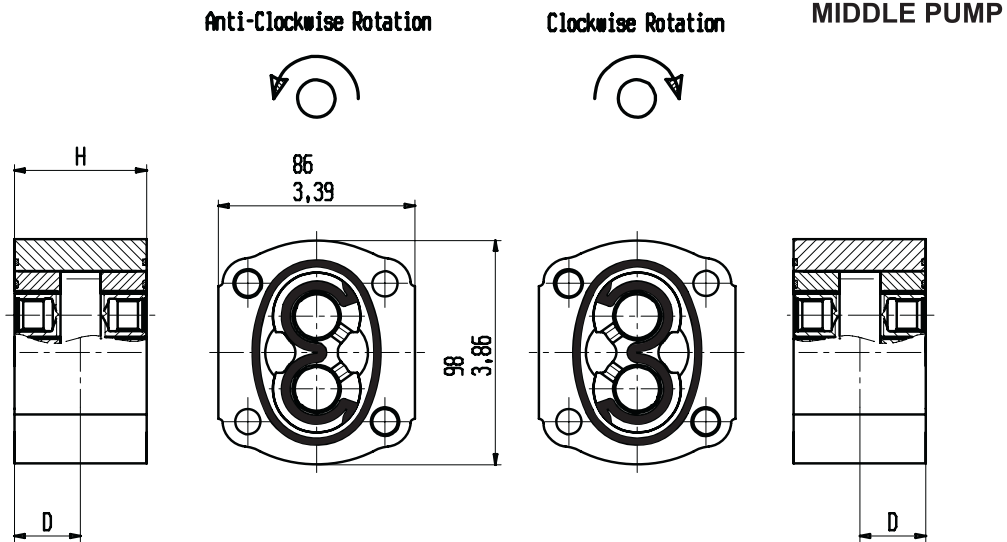


Displacement cm ³ /rev - cu.in./rev	Dimensions		Anti-Clockwise Rotation	Clockwise Rotation
	D	H		
	mm. [inch]	mm. [inch]		
4.5/0.27	42.55 [1.67]	90.1 [3.55]	6120 3372 1	6120 3372 2
6.2/0.40	42.55 [1.67]	90.1 [3.55]	6120 7902 1	6120 7902 2
8.3/0.50	45.40 [1.79]	95.8 [3.77]	6120 8055 1	6120 8055 2
11.3/0.68	47.15 [1.86]	102.7 [4.04]	6120 7904 1	6120 7904 2
13.8/0.84	48.85 [1.92]	106.5 [4.19]	6120 8056 1	6120 8056 2
16/1.01	50.70 [1.99]	110.5 [4.35]	6120 8309 1	6120 8309 2
19/1.15	52.75 [2.08]	118.6 [4.66]	6120 7906 1	6120 7906 2
22.5/1.37	59.50 [2.34]	124.0 [4.88]	6120 7907 1	6120 7907 2
26/1.58	62.40 [2.46]	129.8 [5.11]	6120 7908 1	6120 7908 2

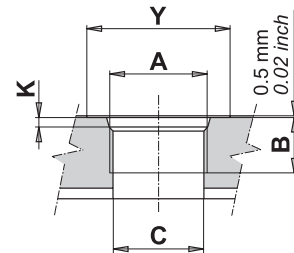
20PE Series Gear Pumps



R60M - Clockwise and Anti-Clockwise Rotation Codes



Type	INLET					OUTLET				
	A	B	ØC	Y	K	A	B	ØC	Y	K
From 3.2 to 26	1-1/16 UNF (SAE 12)	16 (0.62")	20 (0.78")	41 (1.61")	3.3 (0.12")	7/8 - 14 UNF (SAE 10)	14 (0.54")	13 (0.51")	34 (1.32")	2.5 (0.10")

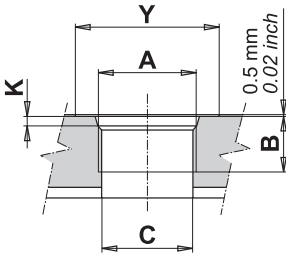
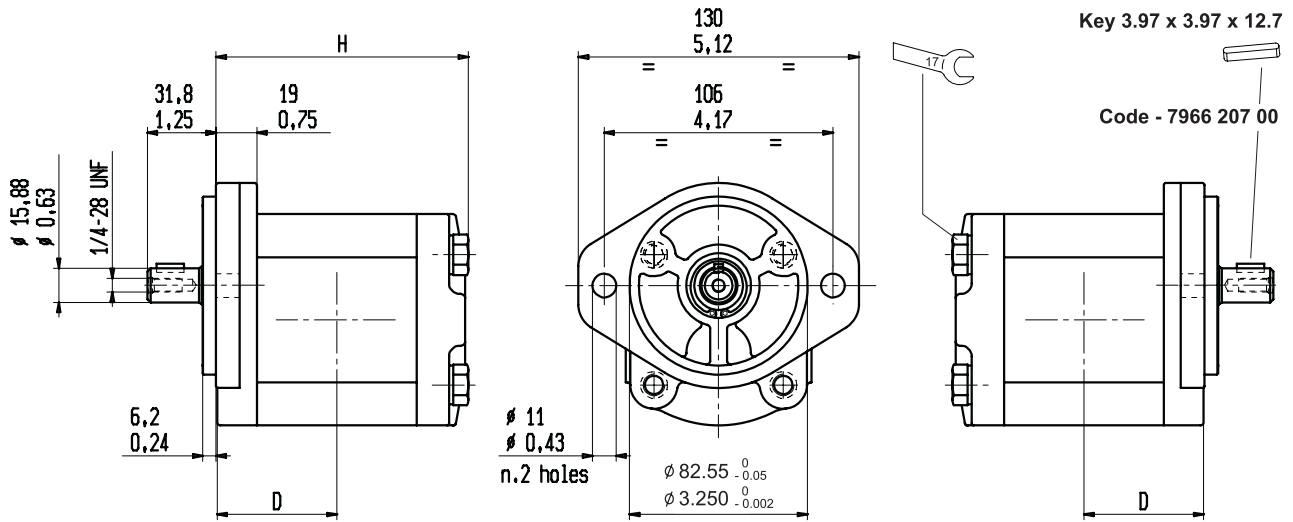


Displacement cm ³ /rev - cu.in./rev	Dimensions		Codes
	D		
	mm. [inch]	H mm. [inch]	
4.5/0.27	23.55 [0.93]	47.1 [1.83]	S120 2010 0
6.2/0.40	23.55 [0.93]	47.1 [1.83]	S120 2011 0
8.3/0.50	26.40 [1.04]	52.8 [2.07]	S120 2012 0
11.3/0.68	29.80 [1.17]	59.6 [2.35]	S120 2013 0
13.8/0.84	31.75 [1.25]	63.5 [2.50]	S120 2014 0
16/1.01	33.75 [1.33]	67.5 [2.65]	S120 2015 0
19/1.15	37.80 [1.49]	75.6 [2.97]	S120 2016 0
22.5/1.37	40.50 [1.59]	81.0 [3.19]	S120 2017 0
26/1.58	43.40 [1.71]	86.8 [3.42]	S120 2018 0

20PE Series Gear Pumps



R82S2 - Clockwise and Anti-Clockwise Rotation Codes



Type	INLET					OUTLET				
	A	B	ØC	Y	K	A	B	ØC	Y	K
From 3.2 to 26	1-1/16 UNF (SAE 12)	16 (0.62")	20 (0.78")	41 (1.61")	3.3 (0.12")	7/8 - 14 UNF (SAE 10)	14 (0.54")	13 (0.51")	34 (1.32")	2.5 (0.10")

Displacement cm ³ /rev - cu.in./rev	Dimensions		Anti-Clockwise Rotation	Clockwise Rotation
	D	H		
	mm. [inch]	mm. [inch]		
4.5/0.27	42.55 [1.67]	90.1 [3.55]	6120 8164 1	6120 8164 2
6.2/0.40	42.55 [1.67]	90.1 [3.55]	6120 8165 1	6120 8165 2
8.3/0.50	45.40 [1.79]	95.8 [3.77]	6120 8166 1	6120 8166 2
11.3/0.68	47.15 [1.86]	102.7 [4.04]	6120 8167 1	6120 8167 2
13.8/0.84	48.85 [1.92]	106.5 [4.19]	6120 8168 1	6120 8168 2
16/1.01	50.70 [1.99]	110.5 [4.35]	6120 8169 1	6120 8169 2
19/1.15	52.75 [2.08]	118.6 [4.66]	6120 8170 1	6120 8170 2
22.5/1.37	59.50 [2.34]	124.0 [4.88]	6120 8171 1	6120 8171 2
26/1.58	62.40 [2.46]	129.8 [5.11]	6120 8172 1	6120 8172 2