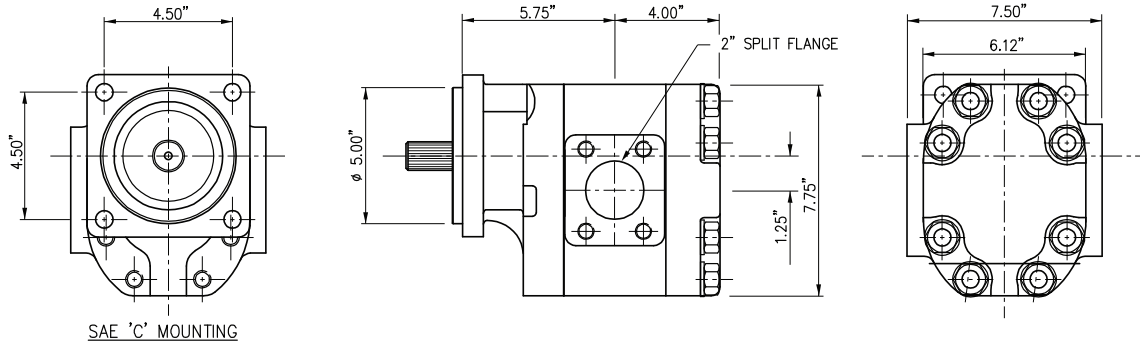


P75/76 Series Bearing



Cast Iron with OB Bearing Gear Pump CW

DIMENSIONAL DETAILS



SAE 'C' MOUNTING

SAE C 4 Bolt Cast Iron with OB Bearing Gear Pump CW

Stock No.	Gear Width	Code	Displacement		Pressure Bar	Weight KG
			cc/rev	cu.in/rev		
P76A478-07	3/4"	07	50	3.03	172	24
P76A478-10	1"	10	67	4.04	172	26
P76A478-12	1-1/4"	12	84	5.05	172	27
P76A478-15	1-1/2"	15	100	6.06	172	29
P76A478-17	1-3/4"	17	117	7.07	172	30
P76A478-20	2"	20	134	8.08	172	31
P76A478-22	2-1/4"	22	151	9.09	153	32
P76A478-25	2-1/2"	25	168	10.09	153	33
P76A478-27	2-3/4"	27	184	11.09	135	34
P76A478-30	3"	30	200	12.09	135	35

SAE C 2 Bolt Cast Iron with OB Bearing Gear Pump CW

Stock No.	Gear Width	Code	Displacement		Pressure Bar	Weight KG
			cc/rev	cu.in/rev		
P76A498-07	3/4"	07	50	3.03	172	24
P76A498-10	1"	10	67	4.04	172	26
P76A498-12	1-1/4"	12	84	5.05	172	27
P76A498-15	1-1/2"	15	100	6.06	172	29
P76A498-17	1-3/4"	17	117	7.07	172	30
P76A498-20	2"	20	134	8.08	172	31
P76A498-22	2-1/4"	22	151	9.09	153	32
P76A498-25	2-1/2"	25	168	10.09	153	33
P76A498-27	2-3/4"	27	184	11.09	135	34
P76A498-30	3"	30	200	12.09	135	35

P75/76 Accessories

Stock Code	Description	Model Code
75SHFTBRG	Outboard Bearing	3910381078
75RLRBRG	Roller Bearing	3910381060
75TPMD	Thrust Plate Single (1)	3912185012
75RNGSEAL	Ring Seal	3912585011
75SHFTSEALP10	Shaft Seal P75/76	3912883052
75GSKT	Housing Gasket	3912884024
3913681001	Check Valve Assembly	3913681001