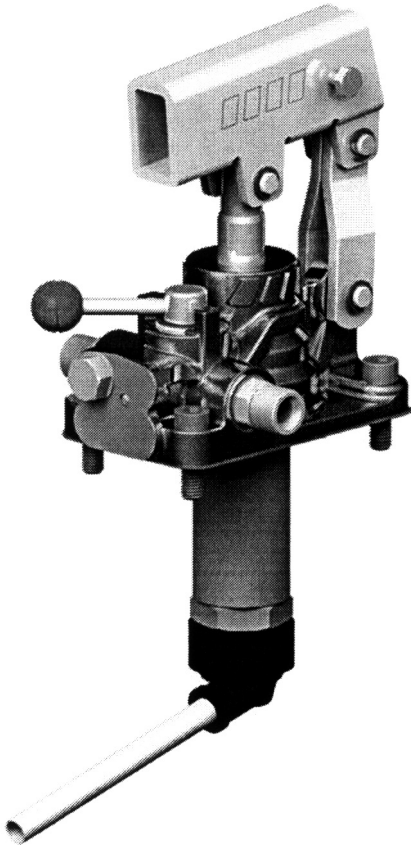
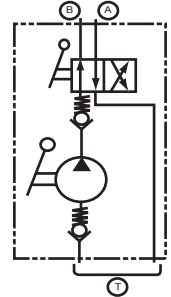


HAND PUMPS - DOUBLE ACTING WITH TANK

PMI Series Hand Pumps provide a uni-directional flow from a double-acting, single piston pump. A rotary 4-way, 3-position valve assembly incorporated in the pump housing provides a means of directional control of the load. Pumps are constructed with a cast iron body and a hardened steel plunger enabling high working pressures. Pump assembly includes an aluminium reservoir. (See specifications for capacity options). Pumps can be mounted either vertically (but not handle - down) or horizontally.



TECHNICAL SPECIFICATIONS

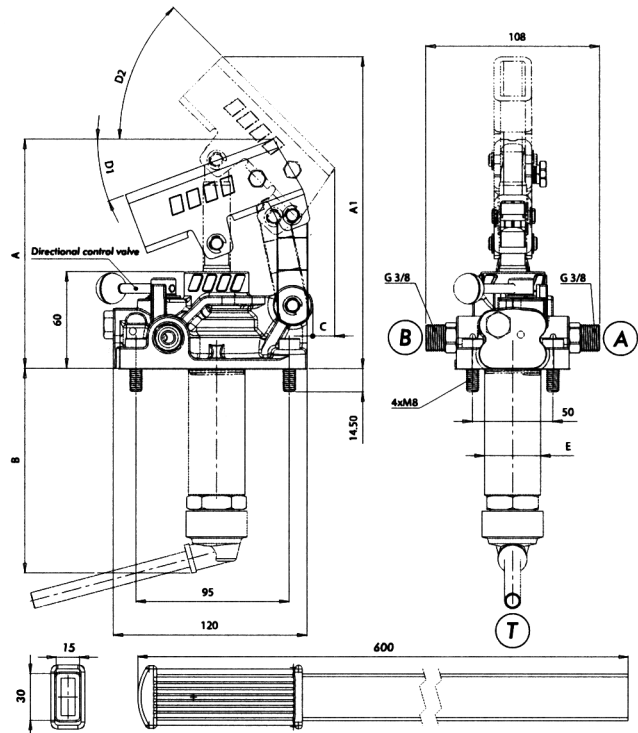
Pump Code	Max. Pressure (bar)	Delivery cc. / cycle	Available Tank Capacities litres
PMI12	350	12	1, 2, 3, 5, 7 & 10
PMI25	300	25	1, 2, 3, 5, 7 & 10
PMI45	270	45	1, 2, 3, 5, 7 & 10

Temperature range: -15°C to +80°C.
For use with mineral oil.

Supplied complete with handle Part No. 106078

DIMENSIONAL DETAILS (mm)

Overall Dimensions mm.							
Code	A	A1	B	C	D1	D2	E
PMI12	143	187	120	2.8	18.5	45	35
PMI25	142	193	127	3.7	20	45	35
PMI45	141	193	138	3.7	20	42	42

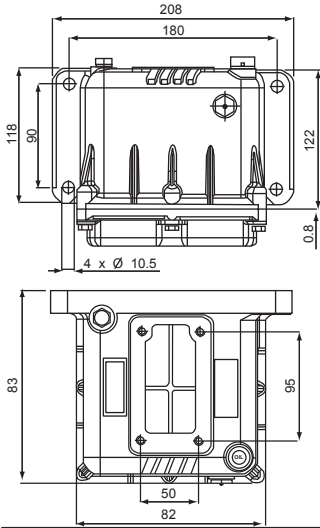


PM* Series

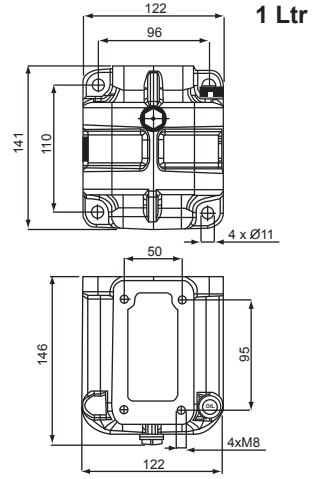
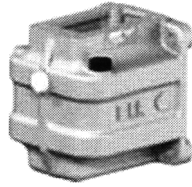
Hand Pumps



Tank Dimensional Details

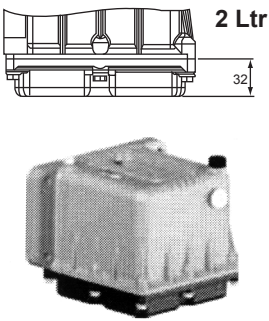


Aluminium 1 Ltr Tank



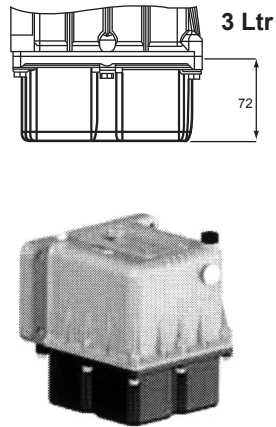
1 Ltr

Plastic 2 Ltr Tank



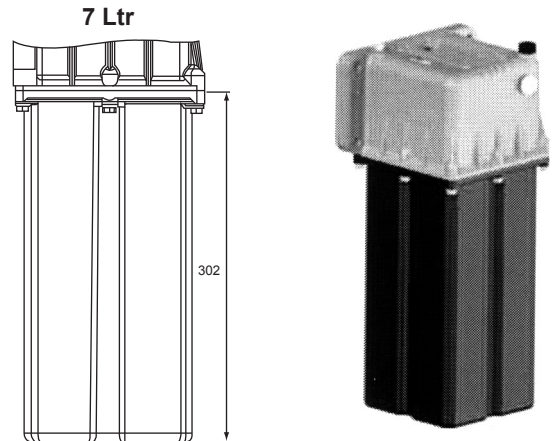
2 Ltr

Plastic 3 Ltr Tank



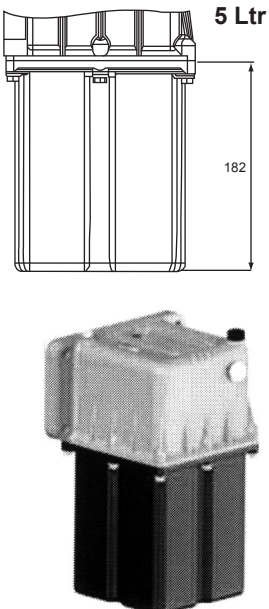
3 Ltr

Plastic 7 Ltr Tank



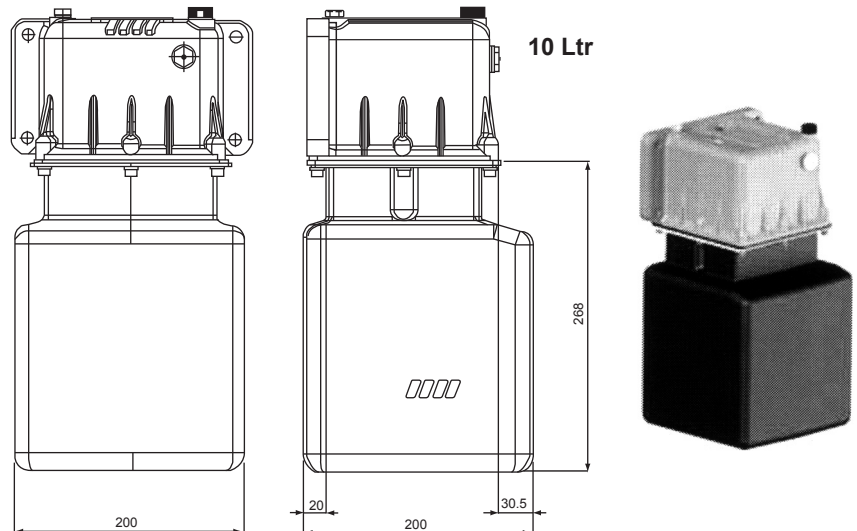
7 Ltr

Plastic 5 Ltr Tank



5 Ltr

Plastic 10 Ltr Tank



10 Ltr