

CP Series

Oil Reservoirs - Aluminium



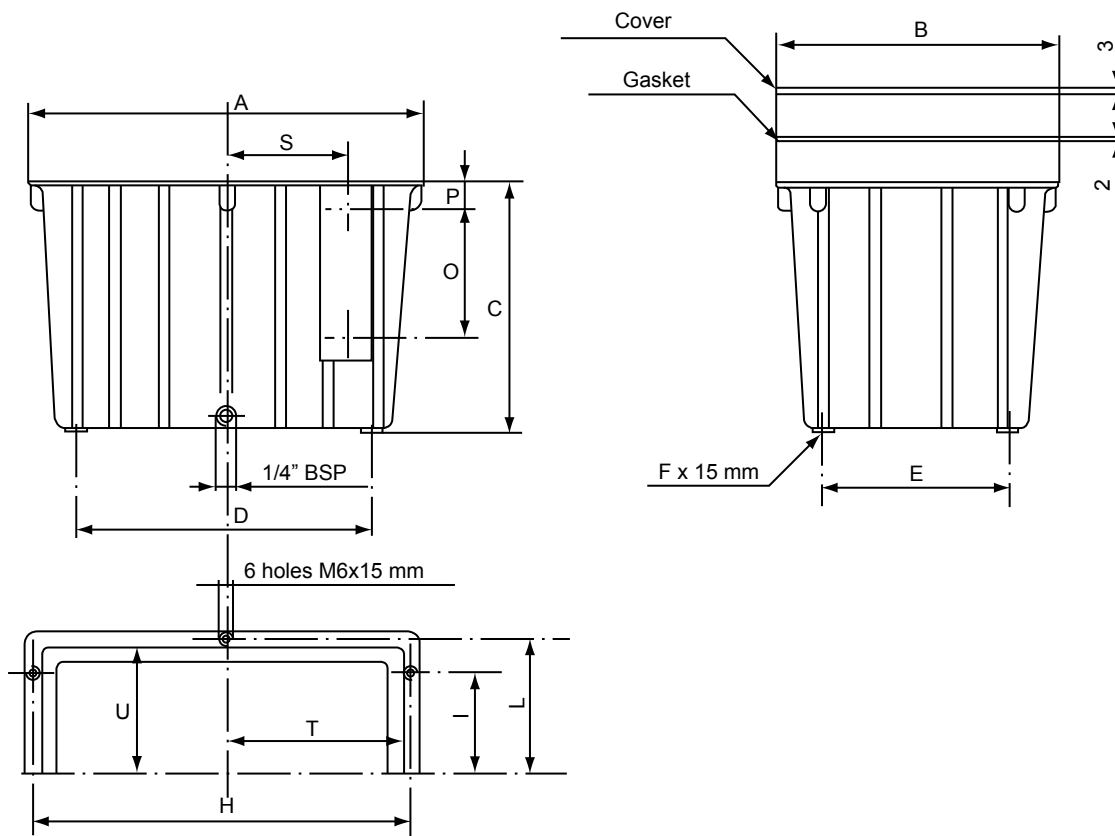
Features

CP Series oil reservoirs are made in die cast aluminium.

They are supplied complete with a drain plug and lid gasket.

The designated size relates to the nominal capacity in litres which corresponds to 3/4 of the total capacity.

Dimensions for CP3 and CP6



Dimensional Details

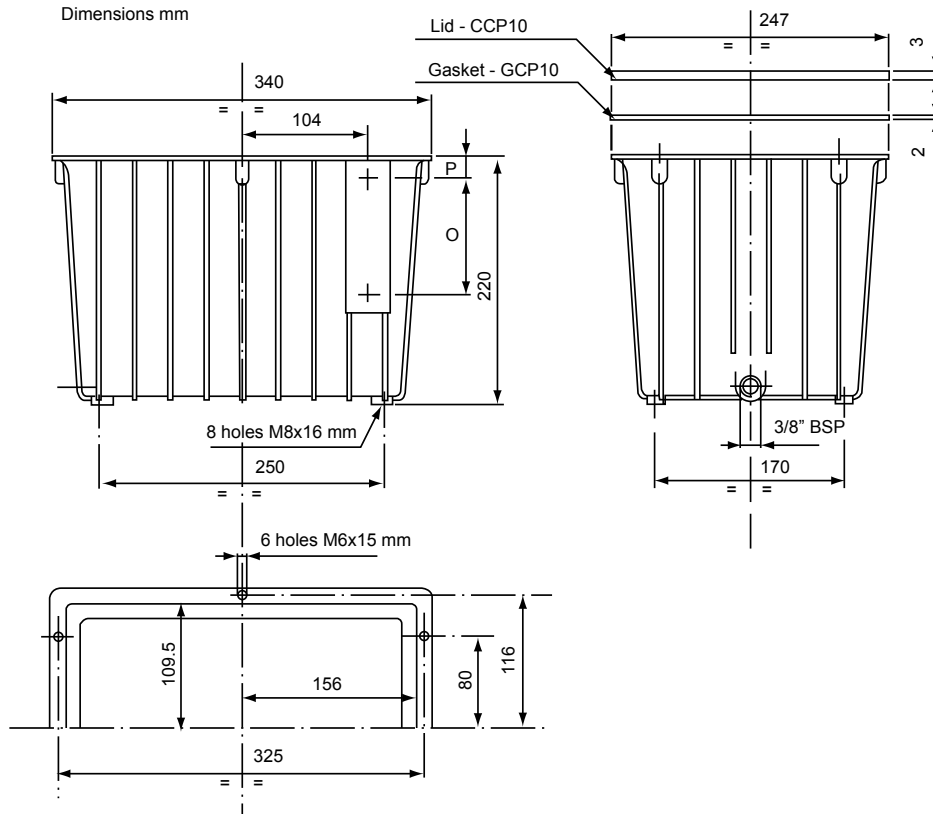
Stock Code	Dimensions												
	A	B	C	D	E	F	H	I	L	M	S	T	U
CP3	220	160	150	165	105	M6	208	55	74	M6	54	98	68
CP6	280	200	176	210	130	M8	268	70	94	M6	84	128	88

CP Series

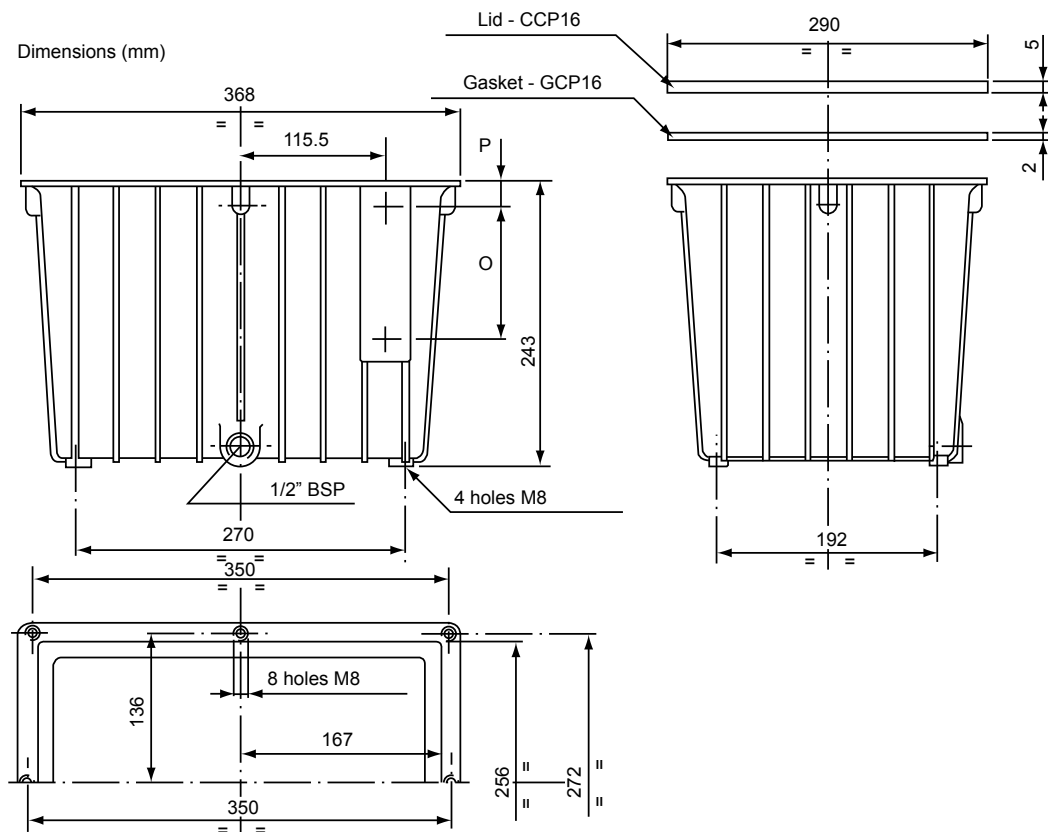
Oil Reservoirs - Aluminium



Dimensions for CP10



Dimensions for CP16

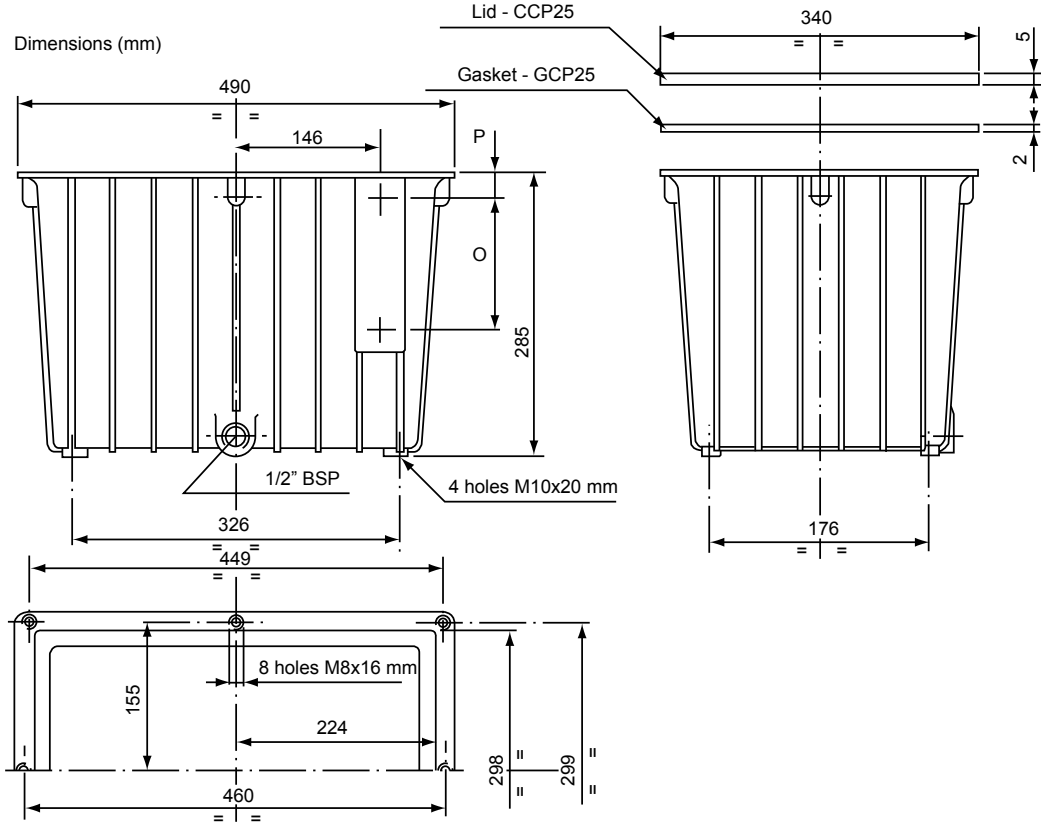


CP Series

Oil Reservoirs - Aluminium



Dimensions for CP25



Dimensions for CP44

