

CHA Series



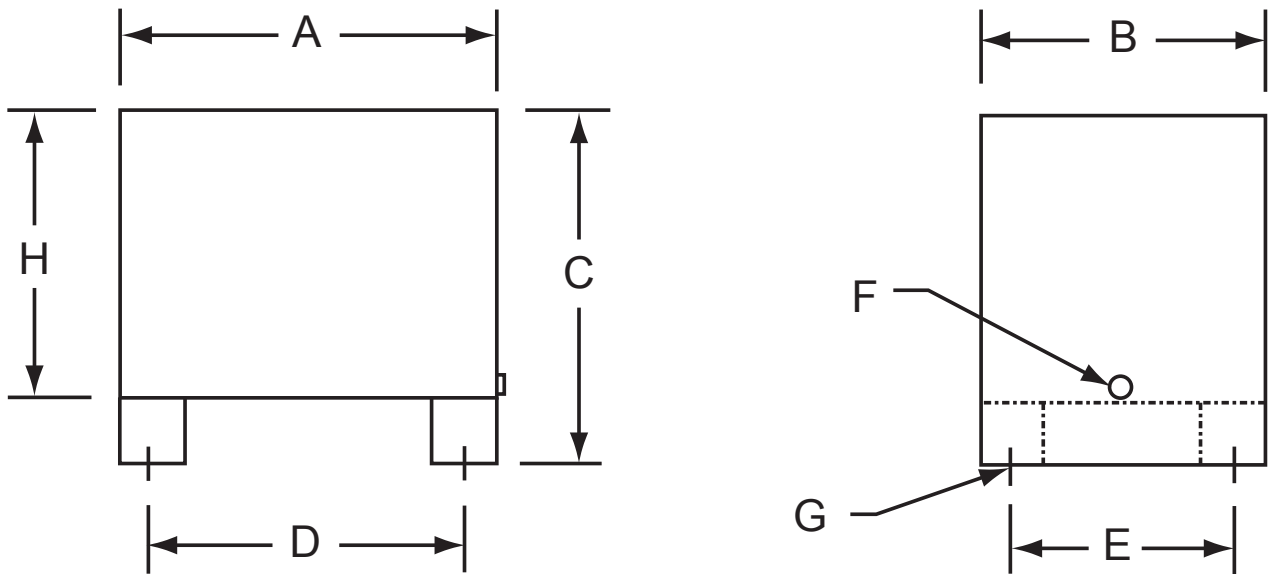
Oil Reservoirs - Steel

Features

CHA series oil reservoirs are made in steel.

They are supplied complete with a drain plug and lid gasket.

The designated size relates to the nominal capacity in litres which corresponds to 3/4 of the total capacity.



Dimensional Details - CHA Series

Stock Code	Usable Capacity	Volume	Dimensions mm							
			A	B	C	D	E	F	G	H
CHA40	40 litres	58 litres	490	340	450	390	240	1/2" BSP	Ø 14	350
CHA55	55 litres	95 litres	600	450	450	500	350	1/2" BSP	Ø 14	350
CHA75	75 litres	122 litres	600	450	550	500	350	1/2" BSP	Ø 14	450
CHA130	130 litres	148 litres	600	450	650	500	350	1/2" BSP	Ø 14	550
CHA200	200 litres	212 litres	700	550	650	600	450	1/2" BSP	Ø 14	550
CHA300	300 litres	346 litres	900	700	650	800	600	1/2" BSP	Ø 14	550
CHA400	400 litres	472 litres	900	700	850	800	600	1/2" BSP	Ø 14	750
CHA600	600 litres	700 litres	1100	850	850	1000	750	1/2" BSP	Ø 14	750

Dimensional Details - BFP Series

Stock Code	Usable Capacity	Volume	Dimensions mm							
			A	B	C	D	E	F	G	H
BFP40	40 litres	70 litres	450	450	400	400	400	1/2" BSP	Ø 14	350
BFP80	80 litres	100 litres	450	450	550	400	400	1/2" BSP	Ø 14	500