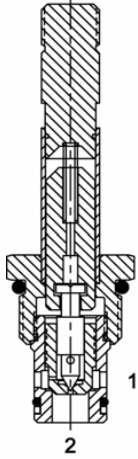


DE-S2F Pilot Operated Poppet, 2 Way Normally Closed – Soft Seat



DESCRIPTION

10 size, 7/8-14 thread, "Delta" series, solenoid operated, 2 way normally closed, pilot operated soft seat poppet valve with reverse flow de-energized.

OPERATION

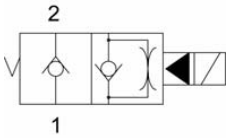
When de-energized the DE-S2F blocks flow from (1) to (2) and allows reverse flow from (2) to (1). When energized the valve allows flow from (1) to (2) but restricts reverse flow from (2) to (1).

OPERATION OF MANUAL OVERRIDE OPTION: To override, pull knob out. On the detented version, after pulling knob out twist 180 degrees and release. The valve will remain in that position.

FEATURES

- Soft seat for ultra low leakage.
- Efficient wet-armature construction.
- Cartridges are voltage interchangeable.
- Manual override option.
- Industry common cavity.
- Unitized, molded coil design.
- Continuous duty rated solenoid.
- Optional coil voltages and terminations.
- Optional "I" Coil: Weatherproof, Thermal Shock, Immersion Safe.

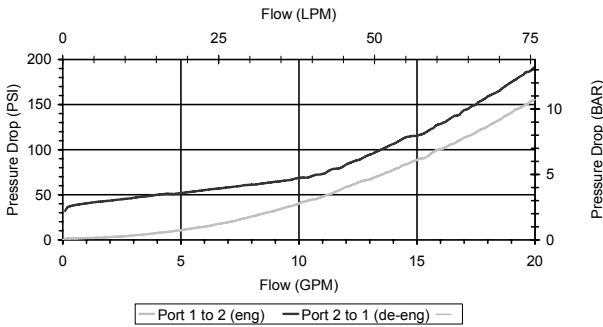
HYDRAULIC SYMBOL



Operational shift limit 10 GPM (38 LPM). For shifted flow performance consult chart.

PERFORMANCE

Actual Test Data (Cartridge Only)



VALVE SPECIFICATIONS

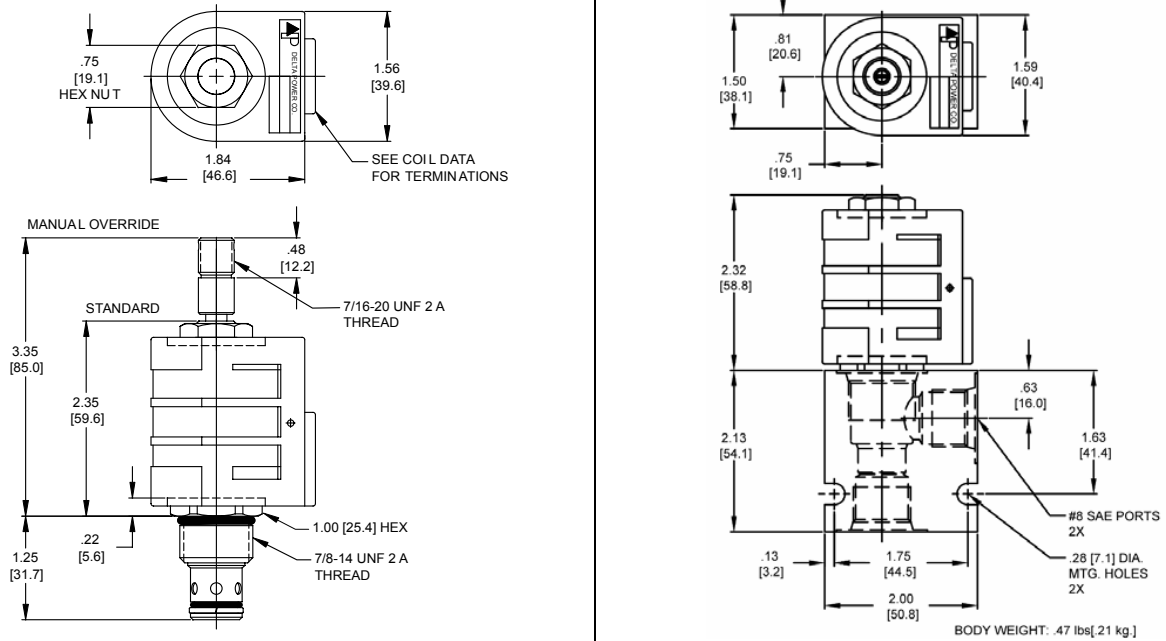
Nominal Flow	10 GPM (38 LPM)
Rated Operating Pressure	1000 PSI (69 bar)
Typical Internal Leakage (150 SSU)	Negligible
Viscosity Range	36 to 3000 SSU (3 to 647 cSt)
Filtration	ISO 18/16/13
Media Operating Temperature Range	32° to 160° F (0° to 70° C)
Weight	.25 lbs. (.11 kg)
Operating Fluid Media	General Purpose Hydraulic Fluid
Cartridge Torque Requirements	30 ft-lbs (40.6 Nm)
Coil Nut Torque Requirements	4-6 ft-lbs (5.4-8.1 Nm)
Cavity	DELTA 2W
Cavity Form Tool (Finishing)	40500000
Seal Kit	21191200

DES2F00

Solenoid Operated Directional Controls



DIMENSIONS



ORDERING INFORMATION

DE-S2F - - - -

OPTIONS

Buna Standard	00
Viton Standard	V0
Buna, Override	0M
Viton, Override	VM
Buna & Screen	A0
Viton & Screen	W0
Buna, Override, Non-detent	B1
Viton, Override, Non-detent	V1
Buna, Screen, Override, Non-detent	B3
Buna, Screen, Override, Detent	B4
Viton, Screen, Override, Non-detent	V3
Viton, Screen, Override, Detent	V4

Note: Use screen only if flow direction is from (1) to (2).

"D" COIL TERMINATION (All DC Except as Noted)

DL	Double Lead
DT	Deutsch on Leads DT04-2P
ML	Metri-Pack on Leads
PL	Packard on Leads
WL	Weatherpack on Leads

BODIES

Blank	Without Body
N	3/8 NPTF Ports
S	#8 SAE Ports

VOLTAGE

06	6 VDC
12	12 VDC
24	24 VDC
36	36 VDC
48	48 VDC
25	24 VAC
11	120 VAC
22	220 VAC
44	440 VAC

SS	Single Spade
DS	Double Spade
HC	DIN 43650 (Hirschman) - (AC & DC)
CL	Conduit Lead - (AC Only)
DI	Deutsch - Integral DT04-2P

IMMERSION PROOF "D" TYPE

IA	"I" Coil AMP Superseal - Integral
ID	"I" Coil Deutsch - Integral DT04-2P
IJ	"I" Coil AMP Jr. Timer - Integral
IM	"I" Coil Metri-Pack - Integral

Approximate Coil Weight: .74 lbs (.33 kg.)