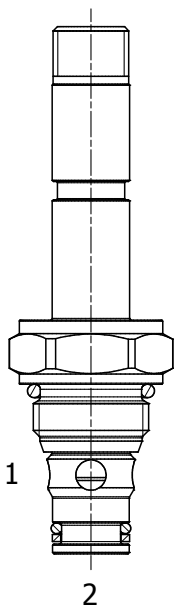


HB-S2A PILOT OPERATED POPPET, 2 WAY NORMALLY CLOSED



DESCRIPTION

8 size, 3/4-16 thread, "Power" series, solenoid operated, 2 way normally closed, pilot operated poppet valve with reverse flow de-energized.

OPERATION

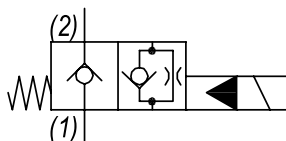
When de-energized the HB-S2A blocks flow from (1) to (2) and allows reverse flow from (2) to (1). When energized the valve allows flow from (1) to (2) and restricts flow from (2) to (1).

OPERATION OF MANUAL OVERRIDE OPTION: to override, turn the manual override screw counterclockwise. To release, turn the manual override screw clockwise.

FEATURES

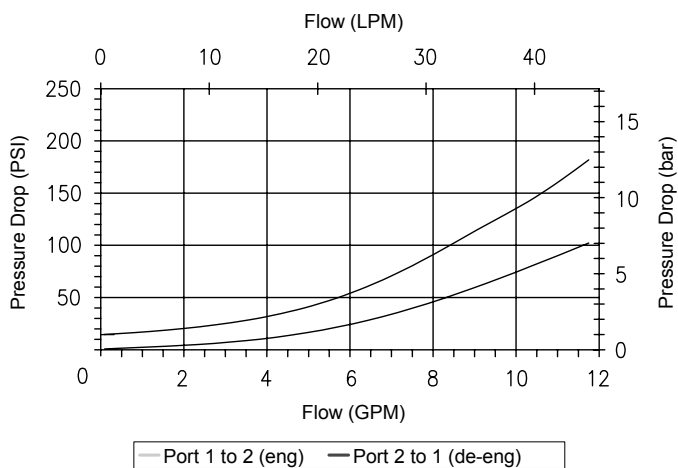
- Hardened parts for long life.
- Efficient wet-armature construction.
- Cartridges are voltage interchangeable.
- Manual override option.
- Industry common cavity.
- Unitized, molded coil design.
- Continuous duty rated solenoid.
- Optional coil voltages and terminations.

HYDRAULIC SYMBOL



PERFORMANCE

Actual Test Data (Cartridge Only)



VALVE SPECIFICATIONS

Nominal Flow	12 GPM (45 LPM)
Rated Operating Pressure	5000 PSI (345 bar)
Typical Internal Leakage (150 SSU)	0-5 drops/min at 5000 PSI (345 bar)
Viscosity Range	36 to 3000 SSU (3 to 647 cSt)
Filtration	ISO 18/16/13
Media Operating Temp. Range	-40° to 210°F (-40° to 100°C) BUNA seals -4° to 250°F (-20° to 120°C) VITON seals
Weight	.29 lbs (.13 kg)
Operating Fluid Media	General Purpose Hydraulic Fluid
Cartridge Torque Requirements	35 ft-lbs (47 Nm)
Coil Nut Torque Requirements	4-6 ft-lbs (5.4-8.1 Nm)
Cavity	POWER 2W
Cavity Tools Kit	40500005
Seal Kit	21191100

WARNING: the specifications/application data shown in our catalogs and data sheets are intended only as a general guide for the product described (herein). Any specific application should not be undertaken without independent study, evaluation, and testing for suitability.



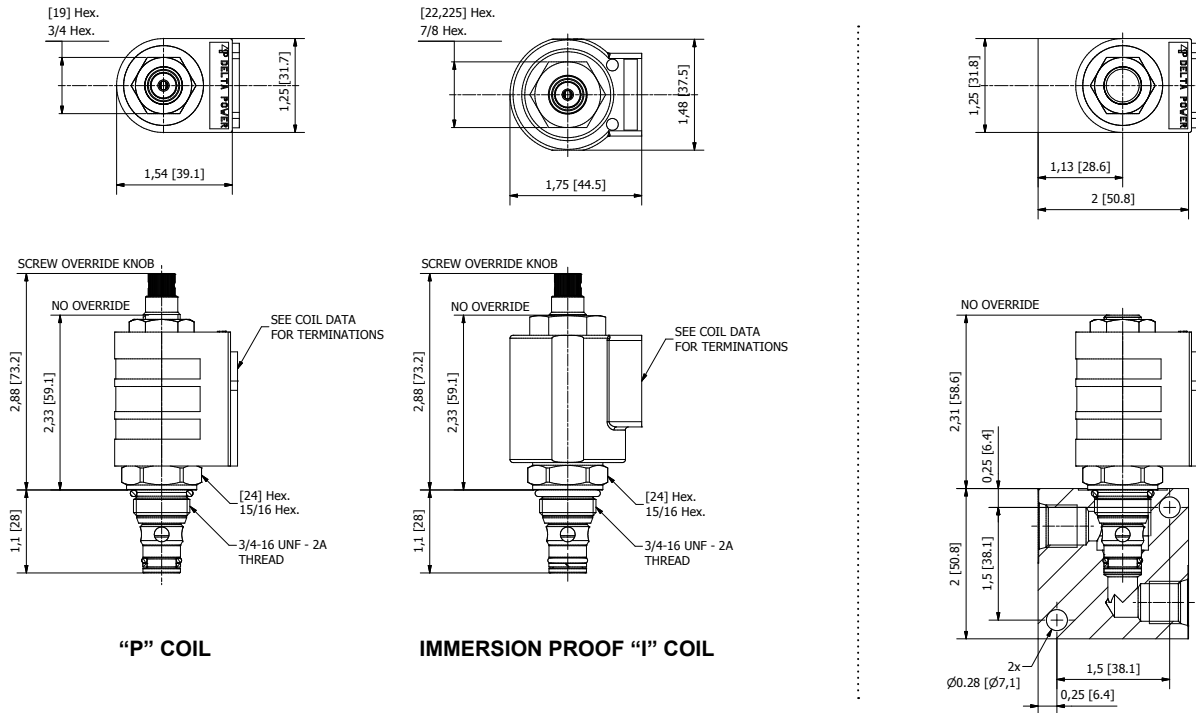
4484 Boeing Drive Rockford, IL 61109 • USA • Phone +1 (815) 397-6628 • Fax +1 (815) 397-2526
mail: delta@delta-power.com • www.delta-power.com



Via Malavolti, 36 • 41122 Modena • ITALY • Phone +39 (059) 254895 • Fax +39 (059) 253512
mail: tecnord@tecnord.com • www.tecnord.com

SOLENOID OPERATED DIRECTIONAL CONTROLS

DIMENSIONS



ORDERING INFORMATION

HB-S2A - - - -

Approximate Coil Weight: .42 lbs (.19 kg)

OPTIONS	
Buna Standard	00
Viton Standard	V0
Buna, Override	0M
Viton, Override	VM
Buna, Screen	A0
Viton, Screen	W0
Buna, Screen, Override	B4
Viton, Screen, Override	V4

Note: use screen only if flow direction is from (1) to (2)

BODIES	
Blank	Without Body
N	1/4 NPTF Ports
S	#6 SAE Ports

Note: Aluminum Body Not durability rated for 5000 PSI (345 bar), consult factory for high pressure body options.

VOLTAGE	
06	6 VDC
12	12 VDC
24	24 VDC
36	36 VDC
48	48 VDC
25	24 VAC
11	120 VAC
22	220 VAC
44	440 VAC

'P' COIL TERMINATION

- DL Double Lead
- DT Deutsch on Leads DT04-2P
- ML Metri-Pack on Leads
- PL Packard on Leads
- WL Weatherpack on Leads

- SS Single Spade
- DS Double Spade
- HC DIN 43650 (Hirschmann) - (AC&DC)
- CL Conduit Lead - (AC Only)
- DI Deutsch - Integral DT04-2P

IMMERSION PROOF 'I' COIL TERMINATION

- IA 'I' Coil AMP Superseal - Integral
- ID 'I' Coil Deutsch - Integral DT04-2P
- IJ 'I' Coil AMP Jr. Timer - Integral
- IM 'I' Coil Metri-Pack - Integral

For Optional Coil Terminations See Coil Section

W 26/2019

WARNING: the specifications/application data shown in our catalogs and data sheets are intended only as a general guide for the product described (herein). Any specific application should not be undertaken without independent study, evaluation, and testing for suitability.



4484 Boeing Drive Rockford, IL 61109 • USA • Phone +1 (815) 397-6628 • Fax +1 (815) 397-2526
 mail: delta@delta-power.com • www.delta-power.com



Via Malavolti, 36 • 41122 Modena • ITALY • Phone +39 (059) 254895 • Fax +39 (059) 253512
 mail: tecnord@tecnord.com • www.tecnord.com