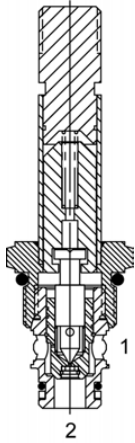


PBS2F00



Solenoid Operated Directional Controls

PB-S2F Pilot Operated Poppet, 2 Way Normally Closed – Soft Seat



DESCRIPTION

8 size, 3/4-16 thread, "Power" series, solenoid operated, 2 way normally closed, pilot operated soft seat poppet valve with reverse flow de-energized.

OPERATION

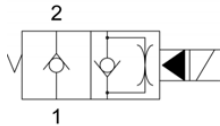
When de-energized the PB-S2F blocks flow from (1) to (2) and allows reverse flow from (2) to (1). When energized the valve allows flow from (1) to (2) and restrict flow from (2) to (1).

OPERATION OF MANUAL OVERRIDE OPTION: To override, pull knob out. On the detented version, after pulling knob out twist 180 degrees and release. The valve will remain in that position.

FEATURES

- Soft seat for ultra low leakage.
- Efficient wet-armature construction.
- Cartridges are voltage interchangeable.
- Manual override option.
- Industry common cavity.
- Unitized, molded coil design.
- Continuous duty rated solenoid.
- Optional coil voltages and terminations.
- Optional "I" Coil: Weatherproof, Thermal Shock, Immersion Safe.

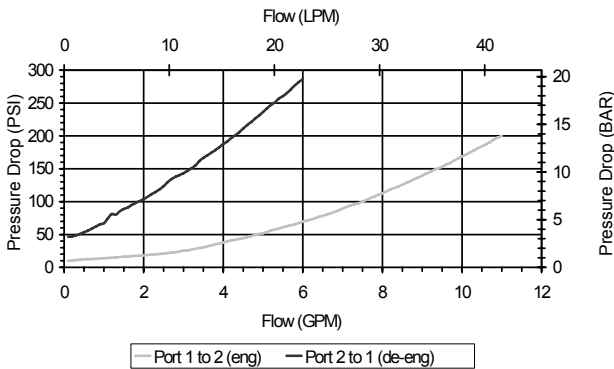
HYDRAULIC SYMBOL



Operational shift limit is 6 GPM.
For shifted performance consult chart.

PERFORMANCE

Actual Test Data (Cartridge Only)



VALVE SPECIFICATIONS

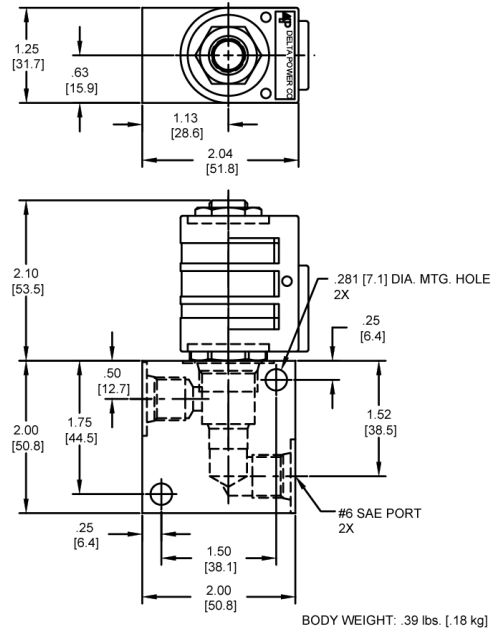
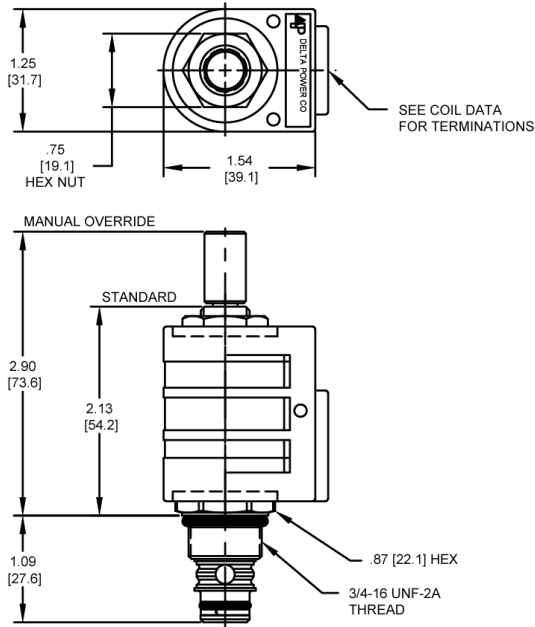
Maximum Flow	6 GPM (23 LPM)
Rated Operating Pressure	2500 PSI (172 bar)
Typical Internal Leakage (150 SSU)	Negligible
Viscosity Range	36 to 3000 SSU (3 to 647 cSt)
Filtration	ISO 18/16/13
Media Operating Temperature Range	-35° to 200° F (-37° to 93° C)
Weight	.19 lbs. (.08 kg)
Operating Fluid Media	General Purpose Hydraulic Fluid
Cartridge Torque Requirements	25 ft-lbs (34 Nm)
Coil Nut Torque Requirements	4-6 ft-lbs (5.4-8.1 Nm)
Cavity	POWER 2W
Cavity Form Tool (Finishing)	40500005
Seal Kit	21191100

PBS2F00

Solenoid Operated Directional Controls



DIMENSIONS



ORDERING INFORMATION

PB-S2F -

OPTIONS		BODIES	
Buna Standard	00	Blank	Without Body
Viton Standard	V0	N	1/4 NPTF Ports
Buna, Override, Detent	0M	S	#6 SAE Ports
Viton, Override, Detent	VM		
Buna, Screen	A0		
Viton, Screen	W0		
Buna, Override, Nondetent	B1	06	VOLTAGE
Viton, Override, Nondetent	V1	12	6 VDC
Buna, Screen, Override, Nondetent	B3	24	12 VDC
Viton, Screen, Override, Nondetent	V3	36	24 VDC
Buna, Screen, Override, Detent	B4	48	36 VDC
Viton, Screen, Override, Detent	V4	25	48 VDC
		11	24 VAC
		22	120 VAC
		44	220 VAC
			440 VAC

Note: Use screen only if flow direction is from (1) to (2).

"P" COIL TERMINATION (All DC Except as Noted)

DL	Double Lead
DT	Deutsch on Leads DT04-2P
ML	Metri-Pack on Leads
PL	Packard on Leads
WL	Weatherpack on Leads

SS	Single Spade
DS	Double Spade
HC	DIN 43650 (Hirschmann) - (AC & DC)
CL	Conduit Lead - (AC Only)
DI	Deutsch - Integral DT04-2P

IMMERSION PROOF "P" TYPE

IA	"I" Coil AMP Superseal - Integral
ID	"I" Coil Deutsch - Integral DT04-2P
IJ	"I" Coil AMP Jr. Timer - Integral
IM	"I" Coil Metri-Pack - Integral

Approximate Coil Weight: .42 lbs/.19 kg.