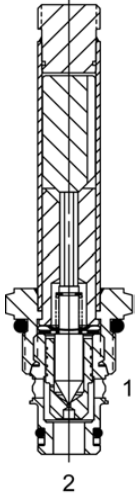


### PB-S2C Pilot Operated Poppet, 2 Way, Normally Open



#### DESCRIPTION

8 size, 3/4-16 thread, "Power" series, solenoid operated, 2 way normally open, pilot operated poppet valve with free reverse flow energized.

#### OPERATION

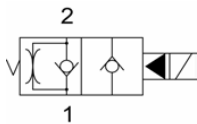
When de-energized the PB-S2C allows flow from (1) to (2) and restricted flow from (2) to (1). When energized the valve blocks flow from (1) to (2) and allows flow from (2) to (1).

**OPERATION OF MANUAL OVERRIDE OPTION:** To override, turn the manual override screw clockwise. To release turn the manual override screw counter-clockwise.

#### FEATURES

- Hardened parts for long life.
- Efficient wet-armature construction.
- Cartridges are voltage interchangeable.
- Manual override option.
- Industry common cavity.
- Unitized, molded coil design.
- Continuous duty rated solenoid.
- Optional coil voltages and terminations.
- Optional "I" Coil: Weatherproof, Thermal Shock, Immersion Safe.

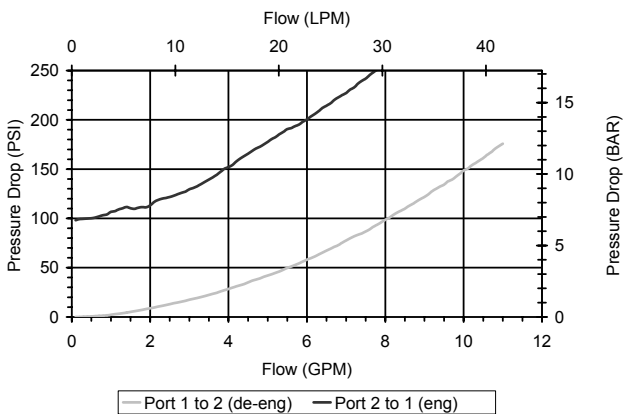
#### HYDRAULIC SYMBOL



Unshifted limit 10 GPM (38 LPM) from (1) to (2) when deenergized. For shifted flow performance consult chart.

#### PERFORMANCE

Actual Test Data (Cartridge Only)



#### VALVE SPECIFICATIONS

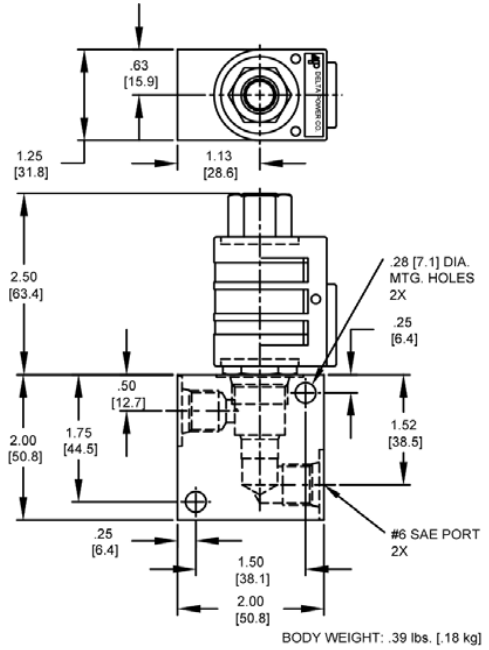
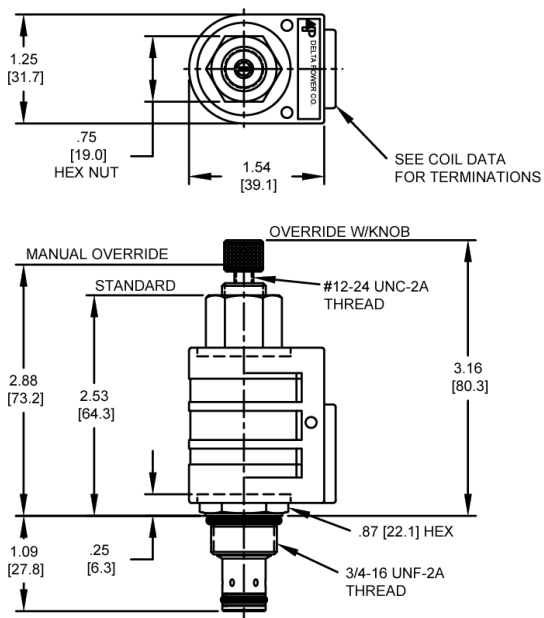
Nominal Flow	10 GPM (38 LPM)
Rated Operating Pressure	3500 PSI (241 bar)
Typical Internal Leakage (150 SSU)	0-5 drops/min
Viscosity Range	36 to 3000 SSU (3 to 647 cSt)
Filtration	ISO 18/16/13
Media Operating Temperature Range	-40° to 250° F (-40° to 120° C)
Weight	.22 lbs. (.10 kg)
Operating Fluid Media	General Purpose Hydraulic Fluid
Cartridge Torque Requirements	25 ft-lbs (34 Nm)
Coil Nut Torque Requirements	4-6 ft-lbs (5.4-8.1 Nm)
Cavity	<a href="#">POWER 2W</a>
Cavity Form Tool (Finishing)	40500005
Seal Kit	21191100

# PBS2C00

Solenoid Operated Directional Controls



## DIMENSIONS



## ORDERING INFORMATION

PB-S2C - - - - -

### OPTIONS

Buna Standard	00
Viton Standard	V0
Buna, Override, Detent	0M
Viton, Override, Detent	VM
Buna, Override, Knob	OK
Viton, Override, Knob	VK
Buna, Screen	A0
Viton, Screen	W0
Buna, Screen, Override	B2
Viton, Screen, Override	V2
Buna, Screen, Override, Knob	B5
Viton, Screen, Override, Knob	V5

Note: Use screen only if flow direction is from (1) to (2).

### "P" COIL TERMINATION

(All DC Except as Noted)

DL	Double Lead
DT	Deutsch on Leads DT04-2P
ML	Metri-Pack on Leads
PL	Packard on Leads
WL	Weatherpack on Leads

SS	Single Spade
DS	Double Spade
HC	DIN 43650 (Hirschman) - (AC & DC)
CL	Conduit Lead - (AC Only)
DI	Deutsch - Integral DT04-2P

### BODIES

Blank	Without Body
N	1/4 NPTF Ports
S	#6 SAE Ports

### VOLTAGE

06	6 VDC
12	12 VDC
24	24 VDC
36	36 VDC
48	48 VDC
25	24 VAC
11	120 VAC
22	220 VAC
44	440 VAC

### IMMERSION PROOF "P" TYPE

IA	"I" Coil AMP Superseal - Integral
ID	"I" Coil Deutsch - Integral DT04-2P
IJ	"I" Coil AMP Jr. Timer - Integral
IM	"I" Coil Metri-Pack - Integral

Approximate Coil Weight: .42 lbs. (.19 kg.)