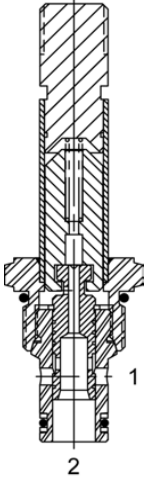


# PBS2H00

Solenoid Operated Directional Controls



## PB-S2H Direct Acting Spool, 2 Way, Normally Open



### DESCRIPTION

8 size, 3/4-16 thread, "Power" series, solenoid operated, 2 way normally open, spool valve.

### OPERATION

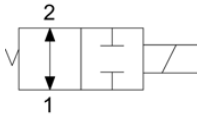
When de-energized the PB-S2H allows flow from (1) to (2) and (2) to (1). When energized the valve blocks flow from (1) to (2) and (2) to (1).

OPERATION OF MANUAL OVERRIDE OPTION: To override, pull knob out. On the detented version, after pulling knob out twist 180 degrees and release. The valve will remain in that position.

### FEATURES

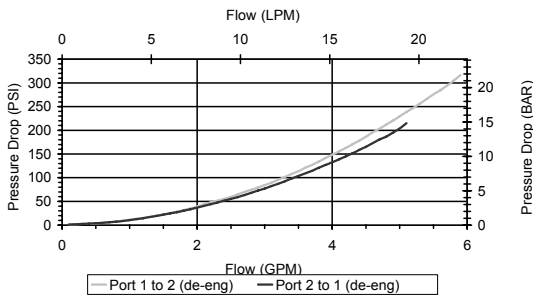
- Hardened parts for long life.
- Efficient wet-armature construction.
- Cartridges are voltage interchangeable.
- Manual override option.
- Industry common cavity.
- Unitized, molded coil design.
- Continuous duty rated solenoid.
- Optional coil voltages and terminations.
- Optional "I" Coil: Weatherproof, Thermal Shock, Immersion Safe.

### HYDRAULIC SYMBOL



### PERFORMANCE

#### Actual Test Data (Cartridge Only)



### VALVE SPECIFICATIONS

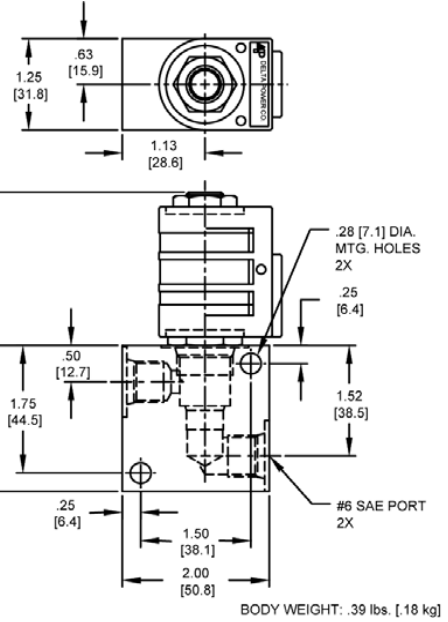
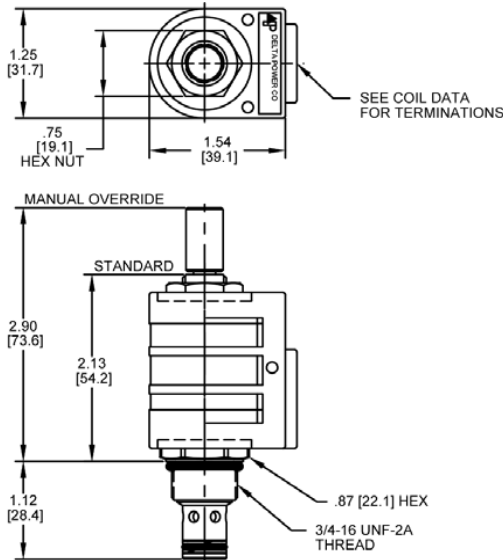
Nominal Flow	5 GPM (19 LPM) from (1) to (2) 3 GPM (11 LPM) from (2) to (1)
Rated Operating Pressure	3000 PSI (207 bar)
Typical Internal Leakage (150 SSU)	5 cu in/min (82 ml/min)
Viscosity Range	36 to 3000 SSU (3 to 647 cSt)
Filtration	ISO 18/16/13
Media Operating Temperature Range	-40° to 250° F (-40° to 120° C)
Weight	.19 lbs. (.09 kg)
Operating Fluid Media	General Purpose Hydraulic Fluid
Cartridge Torque Requirements	25 ft-lbs (34 Nm)
Coil Nut Torque Requirements	4-6 ft-lbs (5.4-8.1 Nm)
Cavity	<a href="#">POWER 2W</a>
Cavity Form Tool (Finishing)	40500005
Seal Kit	21191102

# PBS2H00

Solenoid Operated Directional Controls



## DIMENSIONS



## ORDERING INFORMATION

PB-S2H - - - -

<b>OPTIONS</b>				<b>BODIES</b>
Buna Standard	00			Blank
Viton Standard	V0			N
Buna, Override, Detent	0M			S
Viton, Override, Detent	VM			
Buna, Screen	A0			
Viton, Screen	W0			
Buna, Override, Nondetent	B1			<b>VOLTAGE</b>
Viton, Override, Nondetent	V1			06 6 VDC
Buna, Screen, Override, Nondetent	B3			12 12 VDC
Viton, Screen, Override, Nondetent	V3			24 24 VDC
Buna, Screen, Override, Detent	B4			36 36 VDC
Viton, Screen, Override, Detent	V4			48 48 VDC
				25 24 VAC
				11 120 VAC
				22 220 VAC
				44 440 VAC

Note: Use screen only if flow direction is from (1) to (2).

**"P" COIL TERMINATION**  
(All DC Except as Noted)

DL	Double Lead
DT	Deutsch on Leads DT04-2P
ML	Metri-Pack on Leads
PL	Packard on Leads
WL	Weatherpack on Leads

SS	Single Spade
DS	Double Spade
HC	Din 43650 (Hirschmann) – (AC & DC)
CL	Conduit Lead – (AC Only)
DI	Deutsch – Integral DT04-2P

**IMMERSION PROOF "P" TYPE**

IA	"I" COIL AMP Superseal - Integral
ID	"I" COIL Deutsch – Integral DT04-2P
IJ	"I" COIL AMP Jr. Timer – Integral
IM	"I" COIL Metri-Pack – Integral

Approximate Coil Weight: .42 lbs/.19 kg.