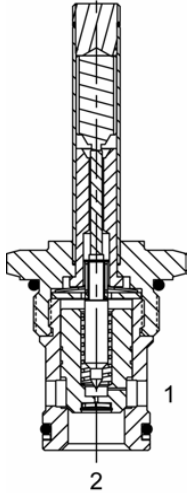


SJ-S2D Pilot Operated Poppet, 2 Way, Normally Open



DESCRIPTION

16 size, 1 5/16-12 thread, "Super" series, solenoid operated, 2 way normally open, pilot operated poppet valve with free reverse flow energized and de-energized.

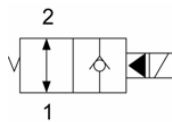
OPERATION

When de-energized the SJ-S2D allows flow to pass from (1) to (2) and (2) to (1), When energized the valve blocks flow from (1) to (2) but allows free reverse flow from (2) to (1).

FEATURES

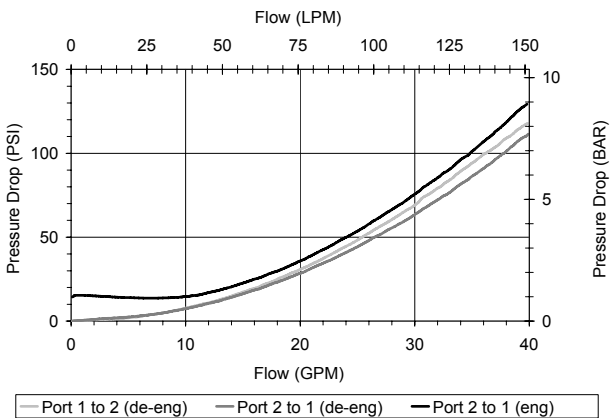
- Hardened parts for long life.
- Efficient wet-armature construction.
- Cartridges are voltage interchangeable.
- Industry common cavity.
- Unitized, molded coil design.
- Continuous duty rated solenoid.
- Optional coil voltages and terminations.
- Optional "I" Coil: Weatherproof, Thermal Shock, Immersion Safe.

HYDRAULIC SYMBOL



PERFORMANCE

Actual Test Data (Cartridge Only)



VALVE SPECIFICATIONS

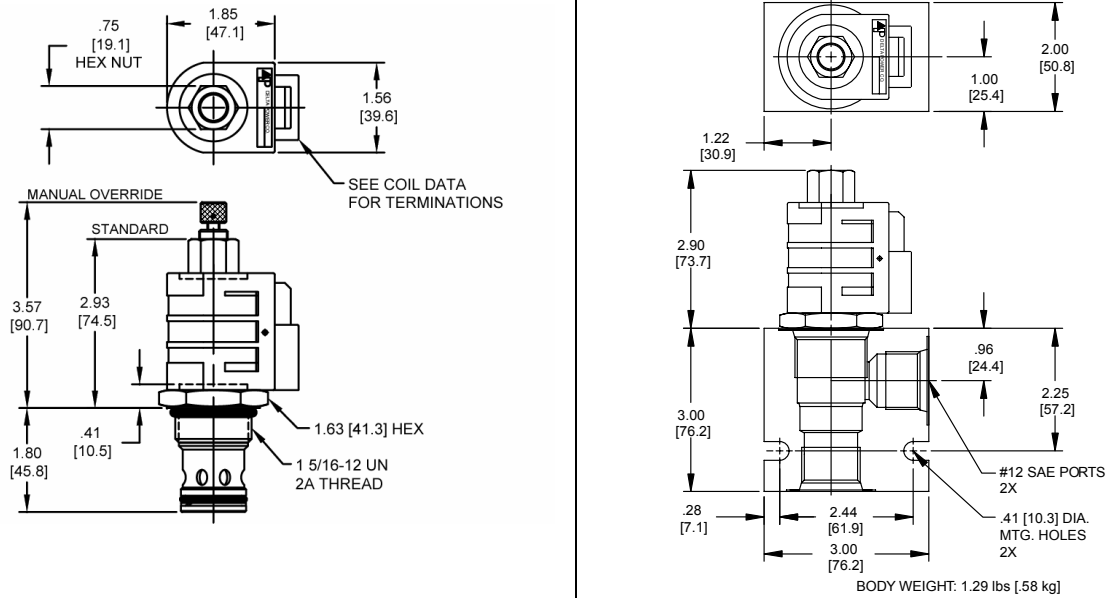
Nominal Flow	40 GPM (151 LPM)
Rated Operating Pressure	3000 PSI (207 bar)
Typical Internal Leakage (150 SSU)	0-10 drops/min
Viscosity Range	36 to 3000 SSU (3 to 647 cSt)
Filtration	ISO 18/16/13
Media Operating Temperature Range	-40° to 250° F (-40° to 120° C)
Weight	.74 lbs. (.33 kg)
Operating Fluid Media	General Purpose Hydraulic Fluid
Cartridge Torque Requirements	90 ft-lbs (122 Nm)
Coil Nut Torque Requirements	4-6 ft-lbs (5.4-8.1 Nm)
Cavity	SUPER 2W
Cavity Form Tool (Finishing)	40500017
Seal Kit	21191400

SJS2D00

Solenoid Operated Directional Controls



DIMENSIONS



ORDERING INFORMATION

SJ-S2D - - - -

OPTIONS

Buna Standard	00
Viton Standard	V0
Buna, Screen	A0
Viton, Screen	W0
Buna, Override	0K
Viton, Override	VK
Buna, Screen, Override	B2
Viton, Screen, Override	V2

Note: Use screen only if flow direction is from (1) to (2).

"D" COIL TERMINATION (All DC Except as Noted)

DL	Double Lead
DT	Deutsch on Leads DT04—2P
MI	Metri-Pack on Leads
PI	Packard on Leads
WL	Weatherpack on Leads

SS	Single Spade
DS	Double Spade
HC	Din 43650 (Hirschmann) – (AC & DC)
CL	Conduit Lead – (AC Only)
DI	Deutsch – Integral DT04—2P

BODIES

Blank	Without Body
N	3/4 NPTF Ports
S	#12 SAE Ports

VOLTAGE

06	6 VDC
12	12 VDC
24	24 VDC
36	36 VDC
48	48 VDC
25	24 VAC
11	120 VAC
22	220 VAC
44	440 VAC

IMMERSION PROOF "D" TYPE

IA	"I" Coil AMP Superseal – Integral
ID	"I" Coil Deutsch – Integral DT04-2P
IJ	"I" Coil AMP Jr. Timer – Integral
IM	"I" Coil Metri-Pack – Integral

Approximate Coil Weight: .74 lbs/.33 kg.