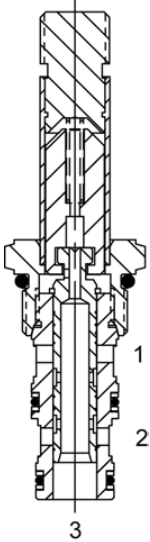


PP-S3A Direct Acting Spool, 3 Way 2 Position



DESCRIPTION

8 size, 3/4-16 thread, "Power" series, solenoid operated, 3 way 2 position, spool valve.

OPERATION

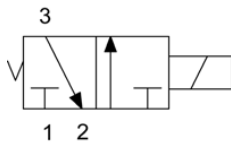
When de-energized the PP-S3A allows flow from (3) to (2) and blocks flow at port (1). When energized the valve allows flow from (1) to (3) and blocks flow at port (2).

OPERATION OF MANUAL OVERRIDE OPTION: To override, pull knob out. On the detented version, after pulling knob out twist 180 degrees and release. The valve will remain in that position.

FEATURES

- Hardened parts for long life.
- Efficient wet-armature construction.
- Cartridges are voltage interchangeable.
- Manual override option.
- Industry common cavity.
- Unitized, molded coil design.
- Continuous duty rated solenoid.
- Optional coil voltages and terminations.
- Optional "I" Coil: Weatherproof, Thermal Shock, Immersion Safe.

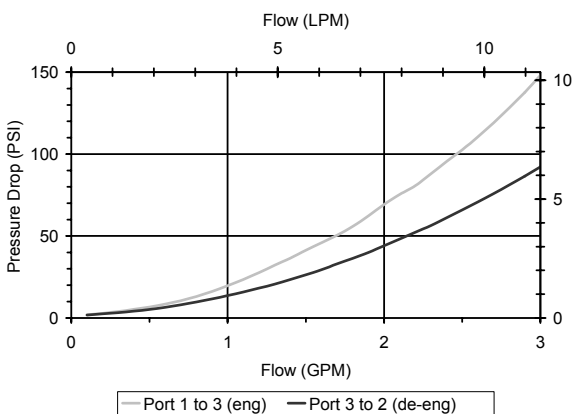
HYDRAULIC SYMBOL



Operational shift limit 3 GPM (11 LPM) from (1) to (3) at 3000 PSI (207 bar) and (3) to (2) with no load. For shifted flow performance consult chart.

PERFORMANCE

Actual Test Data (Cartridge Only)



VALVE SPECIFICATIONS

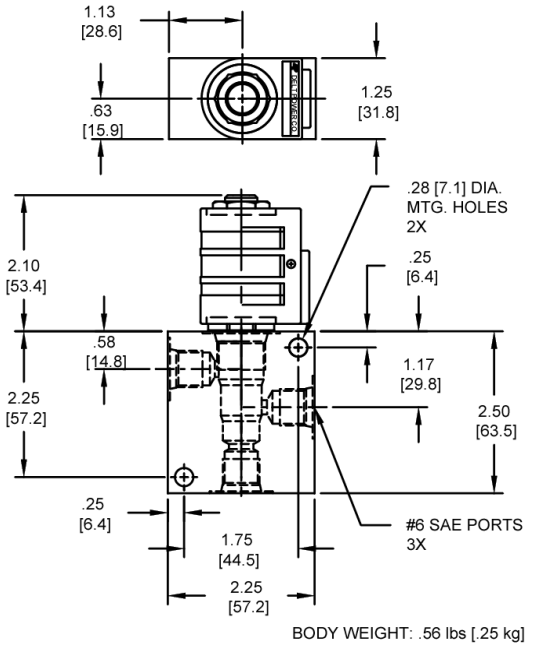
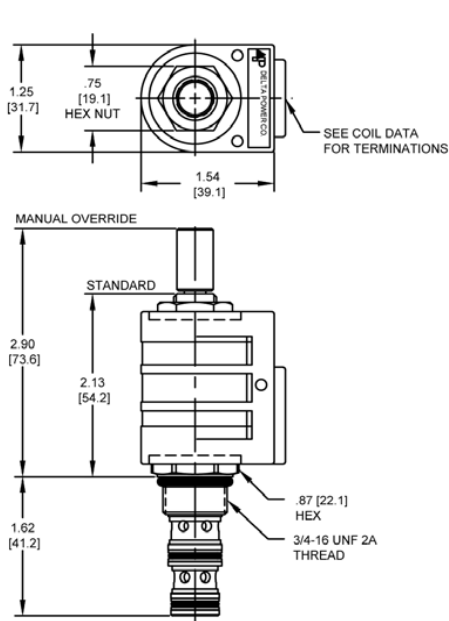
Nominal Flow	3 GPM (11 LPM)
Rated Operating Pressure	3000 PSI (207 bar)
Typical Internal Leakage (150 SSU)	5 cu in/min (82 ml/min)
Viscosity Range	36 to 3000 SSU (3 to 647 cSt)
Filtration	ISO 18/16/13
Media Operating Temperature Range	-40° to 250° F (-40° to 120° C)
Weight	.23 lbs. (.10 kg)
Operating Fluid Media	General Purpose Hydraulic Fluid
Cartridge Torque Requirements	25 ft-lbs (34 Nm)
Coil Nut Torque Requirements	4-6 ft-lbs (5.4-8.1 Nm)
Cavity	POWER 3W
Cavity Form Tool (Finishing)	40500024
Seal Kit	21191105

PPS3A00

Solenoid Operated Directional Controls



DIMENSIONS



ORDERING INFORMATION

PP-S3A - - - -

OPTIONS

Buna Standard	00
Viton Standard	V0
Buna, Override	0M
Viton, Override	VM
Buna, Screen	A0
Viton, Screen	W0
Buna, Override, Non-detent	B1
Viton, Override, Non-detent	V1
Buna, Screen, Override, Non-detent	B3
Buna, Screen, Override, Detent	B4
Viton, Screen, Override, Non-detent	V3
Viton, Screen, Override, Detent	V4

Note: Use screen only if flow direction is from (1) to (2).

"P" COIL TERMINATION (All DC Except as Noted)

DL	Double Lead
DT	Deutsch on Leads DT04-2P
ML	Metri-Pack on Leads
PL	Packard on Leads
WL	Weatherpack on Leads

BODIES

Blank	Without Body
N	1/4 NPTF Ports
S	#6 SAE Ports

VOLTAGE

06	6 VDC
12	12 VDC
24	24 VDC
36	36 VDC
48	48 VDC
25	24 VAC
11	120 VAC
22	220 VAC
44	440 VAC

SS	Single Spade
DS	Double Spade
HC	DIN 43650 (Hirschman) - (AC & DC)
CL	Conduit Lead - (AC Only)
DI	Deutsch - Integral DT04-2P

IMMERSION PROOF "P" TYPE

IA	"I" Coil AMP Superseal - Integral
ID	"I" Coil Deutsch - Integral DT04-2P
IJ	"I" Coil AMP Jr. Timer - Integral
IM	"I" Coil Metri-Pack - Integral

Approximate Coil Weight: .42 lbs. (.19 kg.)