

DG-S4S Spool Operated, 4 Way 3 Position, Scotch Center

DESCRIPTION

10 size, 7/8-14 thread, "Delta" series, solenoid operated, 4 way 3 position, scotch center spool valve.

OPERATION

When de-energized the DG-S4S blocks flow at (1) and (2) and allows flow from (3) to (4). When outer coil (S1) is energized the valve allows flow from (2) to (1) and from (3) to (4). When inner coil (S2) is energized the valve allows flow from (2) to (3) and from (1) to (4).

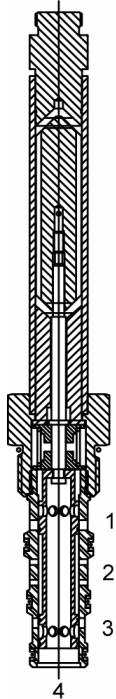
OPERATION OF MANUAL OVERRIDE OPTION:

Bi-Directional Override - Spring biased in neutral center position, when pushed the valve shifts in the S2 direction, when pulled the valve shifts in the S1 direction.

Push Only Override - Spring biased in neutral center position, when pushed the valve shifts in the S2 direction.

FEATURES

- Hardened parts for long life.
- Efficient wet-armature construction.
- Cartridges are voltage interchangeable.
- Manual override options.
- Industry common cavity.
- Unitized, molded coil design.
- Continuous duty rated solenoid.
- Optional coil voltages and terminations.
- Optional "I" Coil: Weatherproof, Thermal Shock, Immersion Safe.

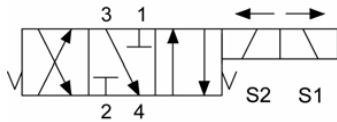


Uses "L" Coil.
Flow rating is at 1000 PSID maximum differential loading

VALVE SPECIFICATIONS

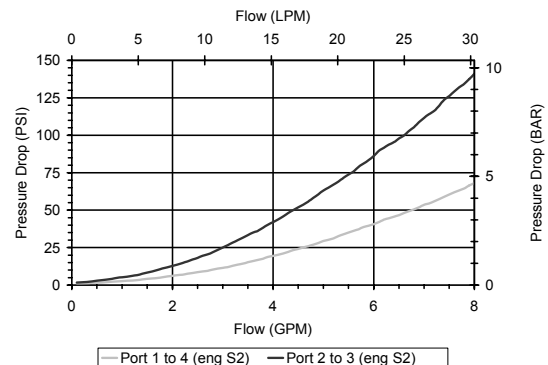
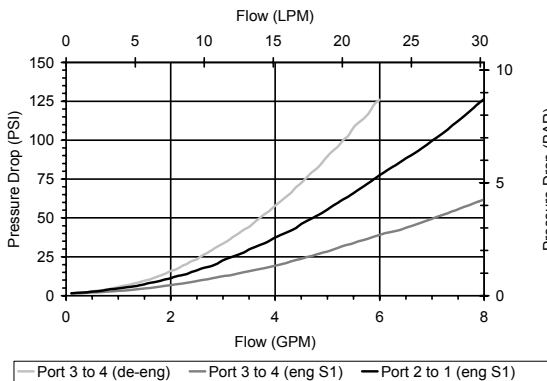
Nominal Flow	6 GPM (23 LPM)
Rated Operating Pressure	3000 PSI (207 bar)
Typical Internal Leakage (150 SSU)	5 cu in/min (82 ml/min) per path
Viscosity Range	36 to 3000 SSU (3 to 647 cSt)
Filtration	ISO 18/16/13
Media Operating Temperature Range	-40° to 250° F (-40° to 120° C)
Weight	.62 lbs. (.28 kg)
Operating Fluid Media	General Purpose Hydraulic Fluid
Cartridge Torque Requirements	30 ft-lbs (40.6 Nm)
Coil Nut Torque Requirements	4-6 ft-lbs (5.4-8.1 Nm)
Cavity	DELTA 4W
Cavity Form Tool (Finishing)	40500002
Seal Kit	21191214

HYDRAULIC SYMBOL



PERFORMANCE

Actual Test Data (Cartridge Only)

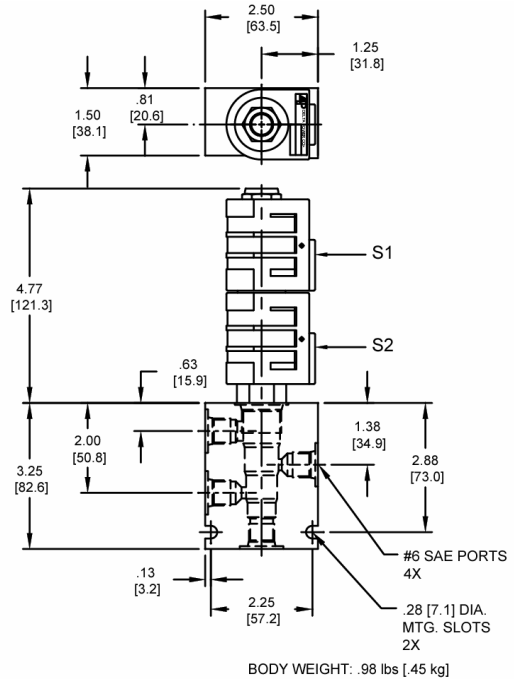
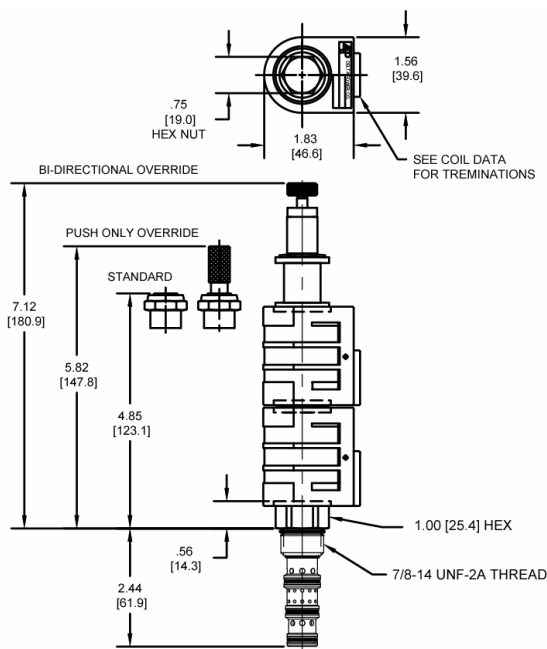


DGS4S00

Solenoid Operated Directional Controls



DIMENSIONS



ORDERING INFORMATION

DG-S4S - - - -

OPTIONS
 Buna Standard 00
 Viton Standard V0
 Buna, Override 0M
 Viton, Override VM
 Buna, Push only override 0P
 Viton, Push only override VP

BODIES
 Blank
 N 1/4 NPTF Ports
 S #6 SAE Ports

VOLTAGE
 06 6 VDC
 12 12 VDC
 24 24 VDC
 36 36 VDC
 48 48 VDC
 25 24 VAC
 11 120 VAC
 22 220 VAC
 44 440 VAC

"L" COIL TERMINATION
 (All DC Except as Noted)

DL Double Lead
 DT Deutsch on Leads DT04-2P
 ML Metri-Pack on Leads
 PL Packard on Leads
 WL Weatherpack on Leads

SS Single Spade
 DS Double Spade
 HC DIN 43650 (Hirschman) – (AC & DC)
 CL Conduit Lead – (AC Only)
 DI Deutsch – Integral DT04-2P

IMMERSION PROOF "L" TYPE
 IA "I" Coil AMP Superseal - Integral
 ID "I" Coil Deutsch – Integral DT04-2P
 IJ "I" Coil AMP Jr. Timer - Integral
 IM "I" Coil Metri-Pack – Integral

Approximate Coil Weight: .68 lbs. (.31 kg.)