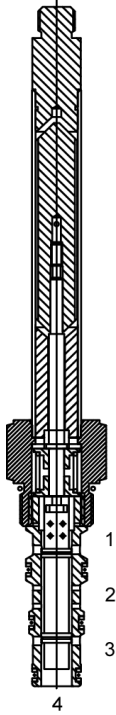


PQ-S4M Direct Acting Spool, 4 Way 3 Position, Motor Center



DESCRIPTION

8 size, 3/4-16 thread, "Power" series, solenoid operated, 4 way 3 position, motor center spool valve.

OPERATION

When de-energized the PQ-S4M allows flow between (1), (3) and (4), blocks flow at (2). When outer coil (S1) is energized the valve allows flow from (2) to (1) and from (3) to (4). When inner coil (S2) is energized the valve allows flow from (2) to (3) and from (1) to (4).

OPERATION OF MANUAL OVERRIDE OPTION:

Push Only Override - Spring biased in neutral center position, when pushed the valve shifts in the S2 direction.

FEATURES

- Hardened parts for long life.
- Efficient wet-armature construction.
- Cartridges are voltage interchangeable.
- Industry common cavity.
- Optional manual "push only" override.
- Unitized, molded coil design.
- Continuous duty rated solenoid.
- Optional coil voltages and terminations.
- Optional "I" Coil: Weatherproof, Thermal Shock, Immersion Safe.

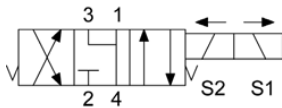


Uses "D" Delta coil.
Flow rating based on maximum differential load of 1000 PSI.
"OP" override is a push only non-detented button that actuates S2 direction.

VALVE SPECIFICATIONS

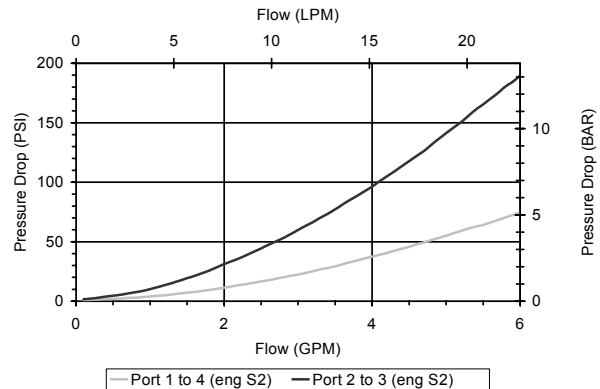
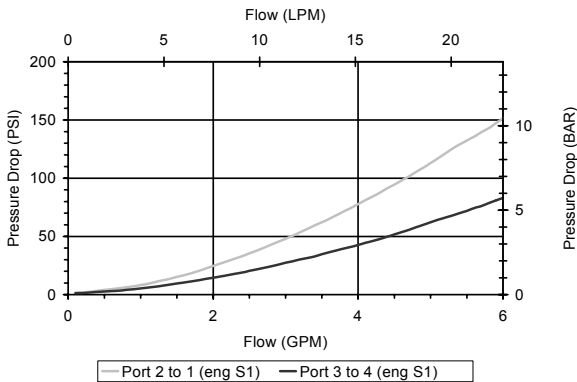
Nominal Flow	6 GPM (23 LPM)
Rated Operating Pressure	3000 PSI (207 bar)
Typical Internal Leakage (150 SSU)	5 cu in/min (82 ml/min) per path
Viscosity Range	36 to 3000 SSU (3 to 647 cSt)
Filtration	ISO 18/16/13
Media Operating Temperature Range	-40° to 250° F (-40° to 120° C)
Weight	.42 lbs. (.19 kg)
Operating Fluid Media	General Purpose Hydraulic Fluid
Cartridge Torque Requirements	25 ft-lbs (34 Nm)
Coil Nut Torque Requirements	4-6 ft-lbs (5.4-8.1 Nm)
Cavity	POWER 4W
Cavity Form Tool (Finishing)	40500029
Seal Kit	21191108

HYDRAULIC SYMBOL



PERFORMANCE

Actual Test Data (Cartridge Only)

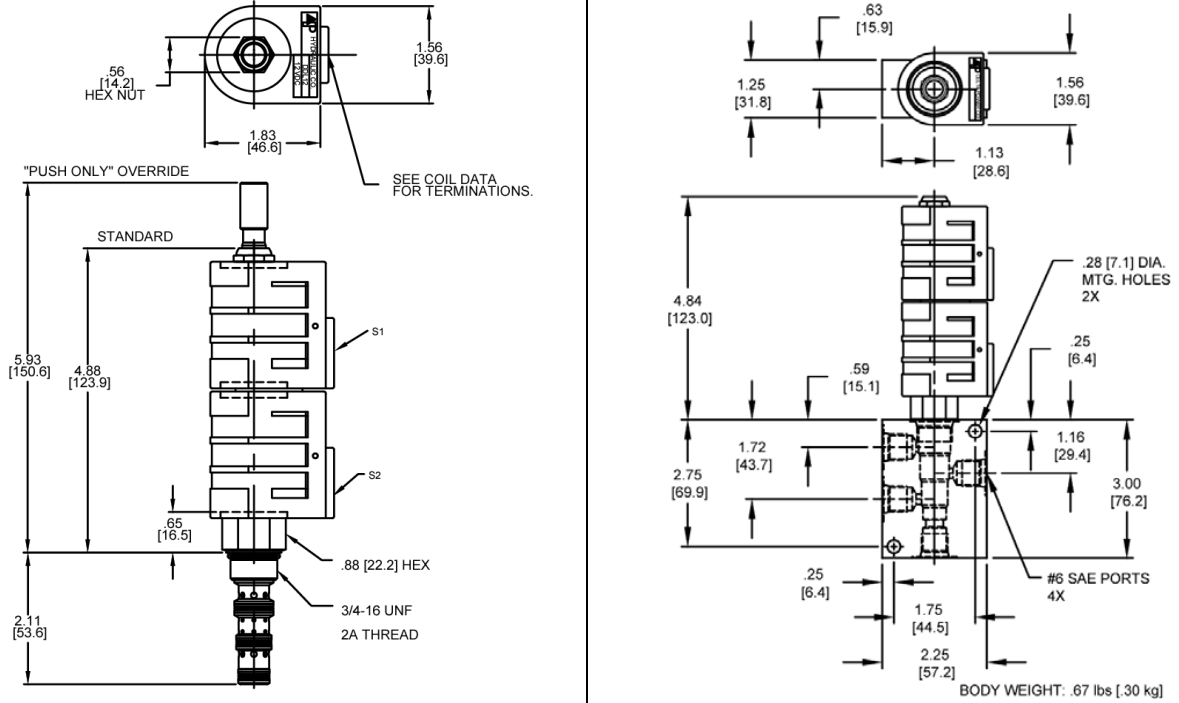


PQS4M00

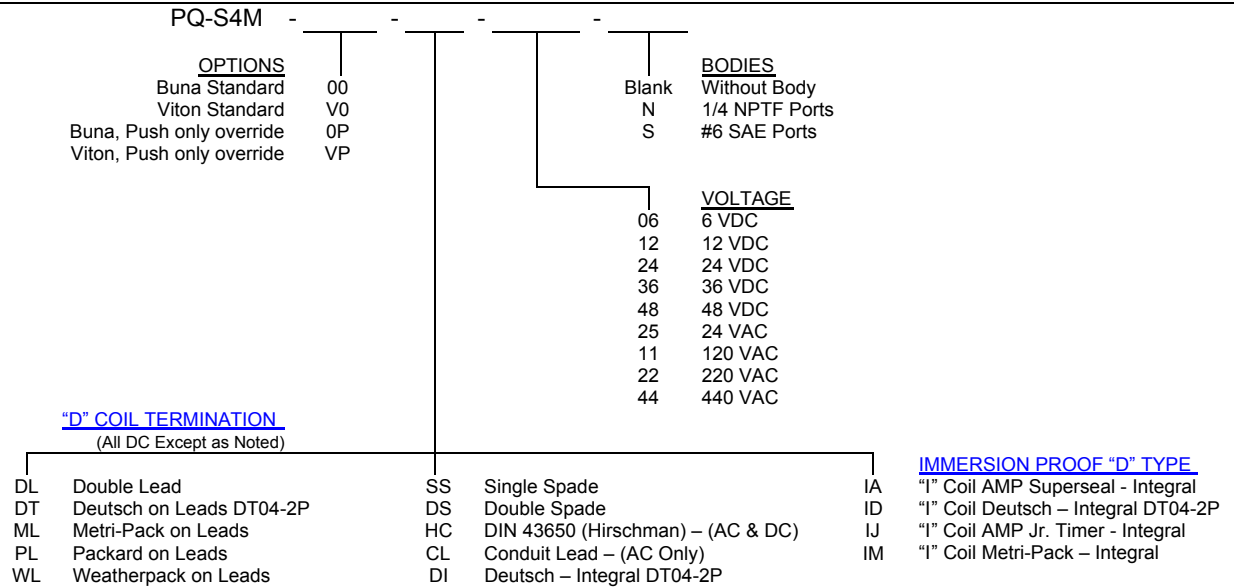
Solenoid Operated Directional Controls



DIMENSIONS



ORDERING INFORMATION



Approximate Coil Weight: .74 lbs. (.33 kg.)