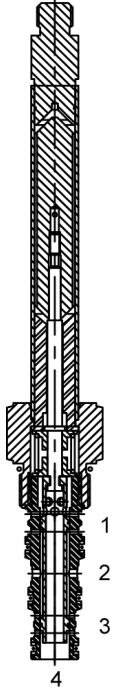


### PQ-S4T Direct Acting Spool, 4 Way 3 Position, Open Center



#### DESCRIPTION

8 size, 3/4-16 thread, "Power" series, solenoid operated, 4 way 3 position, open center spool valve.

#### OPERATION

When de-energized the PQ-S4T is open to all ports, all pressures are relieved. When outer coil (S1) is energized the valve allows flow from (2) to (1) and from (3) to (4). When inner coil (S2) is energized the valve allows flow from (2) to (3) and from (1) to (4).

#### OPERATION OF MANUAL OVERRIDE OPTION:

Push Only Override - Spring biased in neutral center position, when pushed the valve shifts in the S2 direction.

#### FEATURES

- Hardened parts for long life.
- Efficient wet-armature construction.
- Cartridges are voltage interchangeable.
- Industry common cavity.
- Optional manual "push only" override.
- Unitized, molded coil design.
- Continuous duty rated solenoid.
- Optional coil voltages and terminations.
- Optional "I" Coil: Weatherproof, Thermal Shock, Immersion Safe.

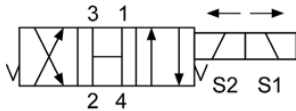


Uses "D" Delta coil. "OP" override is a push only non-detented button that actuates S2 direction.

#### VALVE SPECIFICATIONS

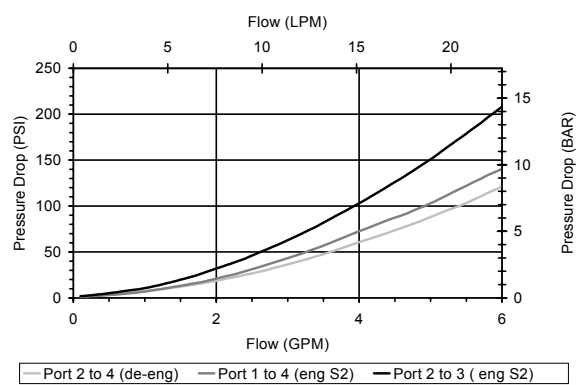
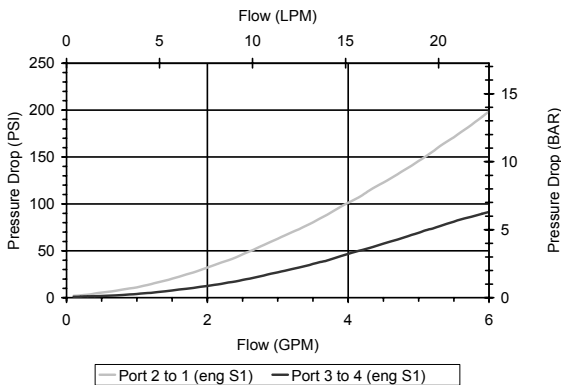
Nominal Flow	5 GPM (19 LPM)
Rated Operating Pressure	3000 PSI (207 bar)
Typical Internal Leakage (150 SSU)	5 cu in/min (82 ml/min) per path
Viscosity Range	36 to 3000 SSU (3 to 647 cSt)
Filtration	ISO 18/16/13
Media Operating Temperature Range	-40° to 250° F (-40° to 120° C)
Weight	.42 lbs. (.19 kg)
Operating Fluid Media	General Purpose Hydraulic Fluid
Cartridge Torque Requirements	25 ft-lbs (34 Nm)
Coil Nut Torque Requirements	4-6 ft-lbs (5.4-8.1Nm)
Cavity	<a href="#">POWER 4W</a>
Cavity Form Tool (Finishing)	40500029
Seal Kit	21191108

#### HYDRAULIC SYMBOL



#### PERFORMANCE

##### Actual Test Data (Cartridge Only)

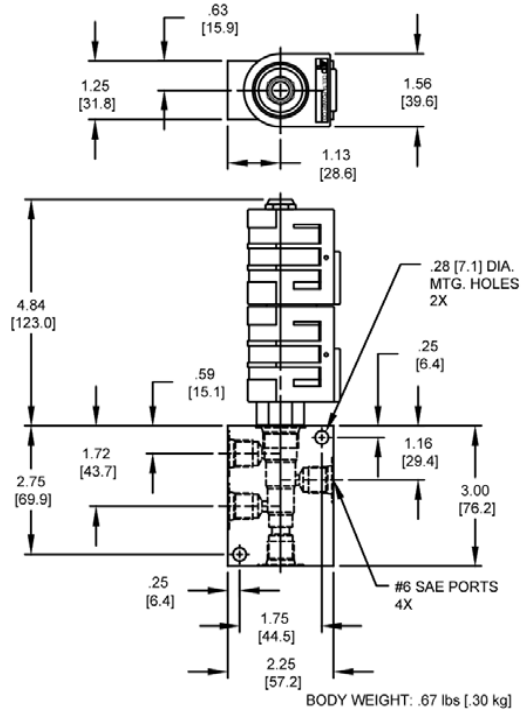
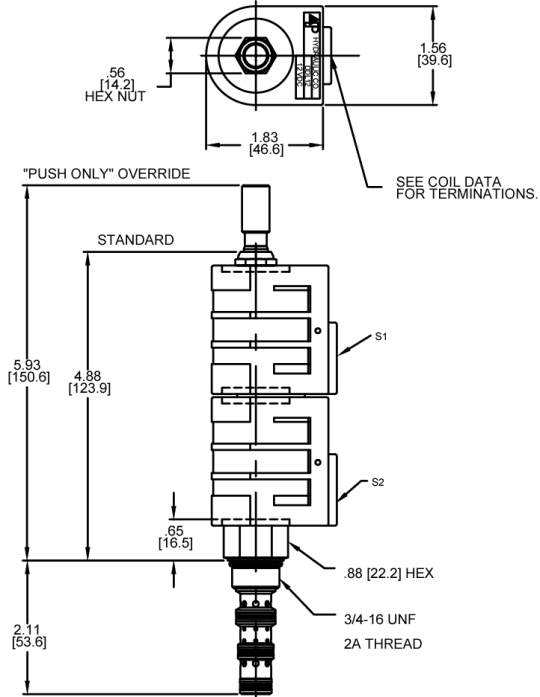


# PQS4T00

Solenoid Operated Directional Controls



## DIMENSIONS



## ORDERING INFORMATION

PQ-S4T		-		-		-		-		-	
<u>OPTIONS</u>		00				Blank		<u>BODIES</u>			
Buna Standard		V0				N		Without Body			
Viton Standard		0P				S		1/4 NPTF Ports			
Buna, Push only override		VP						#6 SAE Ports			
Viton, Push only override								<u>VOLTAGE</u>			
						06		6 VDC			
						12		12 VDC			
						24		24 VDC			
						36		36 VDC			
						48		48 VDC			
						25		24 VAC			
						11		120 VAC			
						22		220 VAC			
						44		440 VAC			
<u>"D" COIL TERMINATION</u> (All DC Except as Noted)						<u>IMMERSION PROOF "D" TYPE</u>					
DL	Double Lead	SS	Single Spade	IA	"I" Coil AMP Superseal - Integral						
DT	Deutsch on Leads DT04-2P	DS	Double Spade	ID	"I" Coil Deutsch - Integral DT04-2P						
ML	Metri-Pack on Leads	HC	DIN 43650 (Hirschman) - (AC & DC)	IJ	"I" Coil AMP Jr. Timer - Integral						
PL	Packard on Leads	CL	Conduit Lead - (AC Only)	IM	"I" Coil Metri-Pack - Integral						
WL	Weatherpack on Leads	DI	Deutsch - Integral DT04-2P								

Approximate Coil Weight: .74 lbs. (.33 kg.)