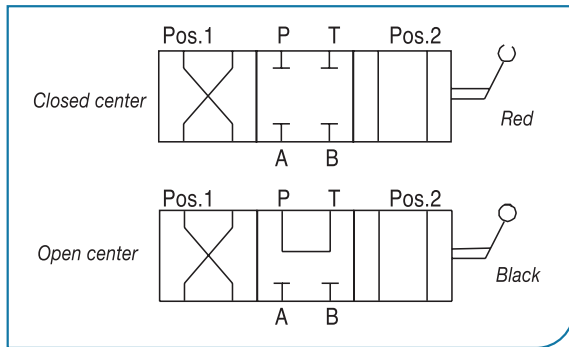
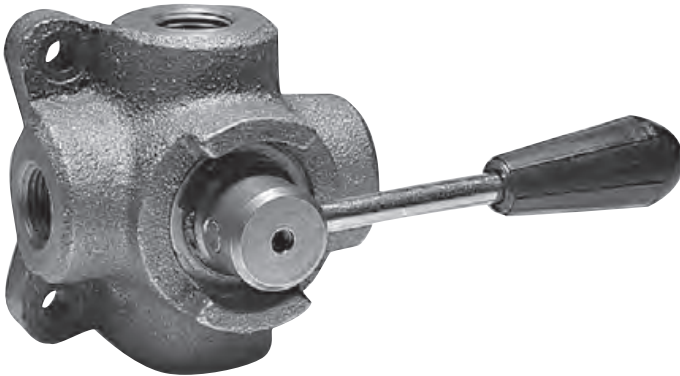


IDF4V Series

4 Way Flow Diverter Valve



APPLICATION

This special hydraulic schematic is able to control a double action actuator.

INSTALLATION

P port is connected to inlet flow and T port to tank line. A and B valve ports are connected to actuator ports.

OPERATION

Hand lever in pos. 1 allows flow from P port towards B and at the same time A allows flow towards T.

Hand lever in pos. 2 connects P to A and B to T.

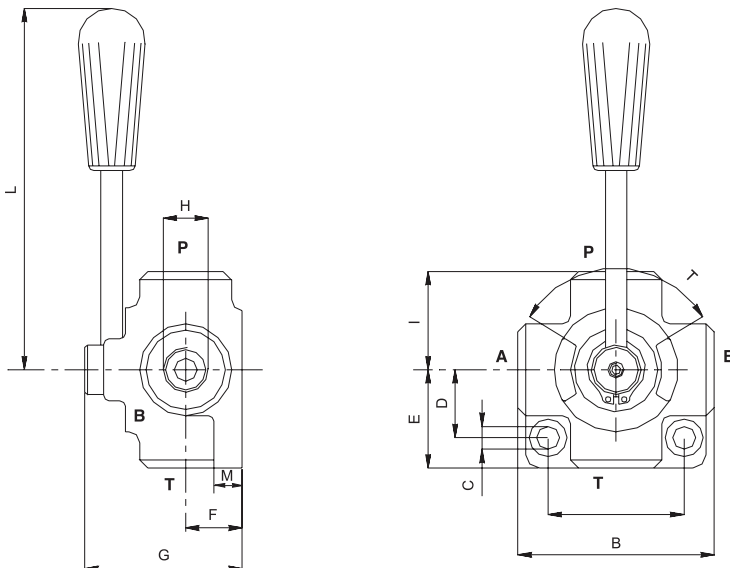
C Type (closed centre): when hand lever is in the mid position all ports are closed (though low leakage may occur).

A Type (open centre): when hand lever is in the mid position P port allows flow towards to T port.

FEATURES

Cast iron body - Hardened spool - Low leakage - 8 ways arranged.

Dimension	Max Pressure bar	Max Flow l/min	A	B	C	D	E	F	G	H Gas	I	L	M	T°	Weight kg
02	300	35	54	77	8.5	27	38.5	24	71	3/8	38.5	130	10	90	1.23
03	250	50	68	90	8.5	32	45	28	80	1/2	45	130	13	90	1.89
04	220	90	74	95	8.5	38	47.5	32	90	3/4	47.5	160	15	90	2.56



How To Order

IDF4V	-		-	
Dimension		Hydraulic Schematic		
02	3/8 GAS	A	Open Centre	
03	1/2 GAS	C	Closed Centre	
04	3/4 GAS			