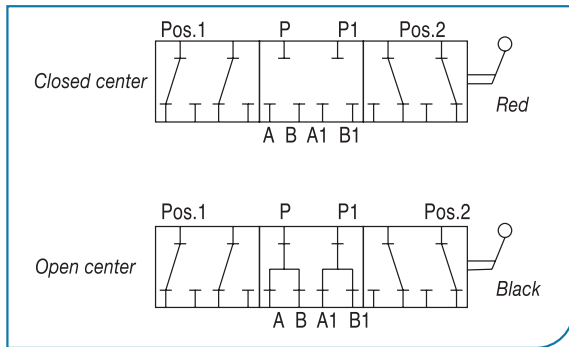
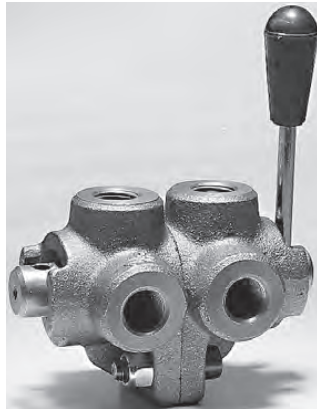


DDF6V Series



6 Way Flow Diverter Valve



APPLICATION

Every single 3 way flow diverter connects or takes out inlet flow towards two ports. While turning, the handle drives two sections at the same time, by mechanical connection. This special hydraulic schematic controls single action actuators.

INSTALLATION

P and P1 ports are connected with inlet flow and A, A1 and B, B1 with actuator ports.

OPERATION

Hand lever in pos. 1 allows flow towards A and A1 ports.

Hand lever in pos. 2 allows flow towards B and B1 ports.

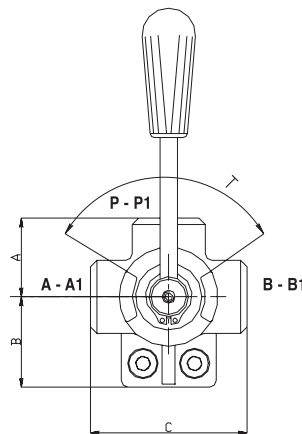
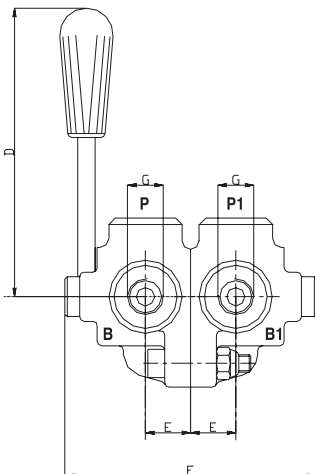
C Type (closed centre): when hand lever is in the mid position all ports are closed (though low leakage may occur).

A Type (open centre): when hand lever is in the mid position all ports of

FEATURES

Cast iron body - Hardened spool - Low leakage.

Dimension	Max Pressure bar	Max Flow l/min	A	B	C	D	E	F	G Gas	T°	Weight kg
02	315	60	36.5	42	73	135	21	124	3/8	90	1.76
03	280	90	42.5	53	85	130	24	140	1/2	90	2.90
04	250	120	45.5	56	91	130	28	160	3/4	90	3.74
05	220	180	49	64	98	160	31.5	180	1	90	5.20



How To Order

DDF6V	-		-	
Dimension		Hydraulic Schematic		
02	3/8 GAS	A	Open Centre	
03	1/2 GAS			
04	3/4 GAS			
05	1 GAS	C	Closed Centre	