

IDF8V Series

8 Way Flow Diverter Valve



APPLICATION

Every single 4 way flow diverter connects or takes out inlet flow towards two ports. When hand lever turns, it moves the two spindles by mechanical connection. This special hydraulic schematic is able to control two double action actuators.

INSTALLATION

P and P1 ports are connected with inlet flow and T, T1 with tank line. A, B and A1, B1 ports are connected with actuator ports.

OPERATION

Hand lever in pos. 1 allows flow from P and P1 towards B and B1 and at the same time T and T1 allows flow towards A and A1.

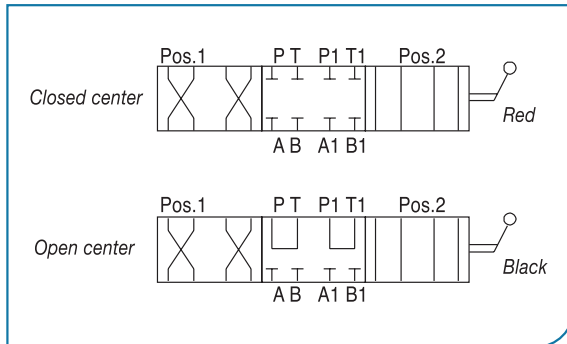
Hand lever in pos. 2 connects P and P1 with A and A1 and T and T1 with B and B1.

C Type (closed centre): when hand lever is in the mid position all ports are closed (though low leakage may occur).

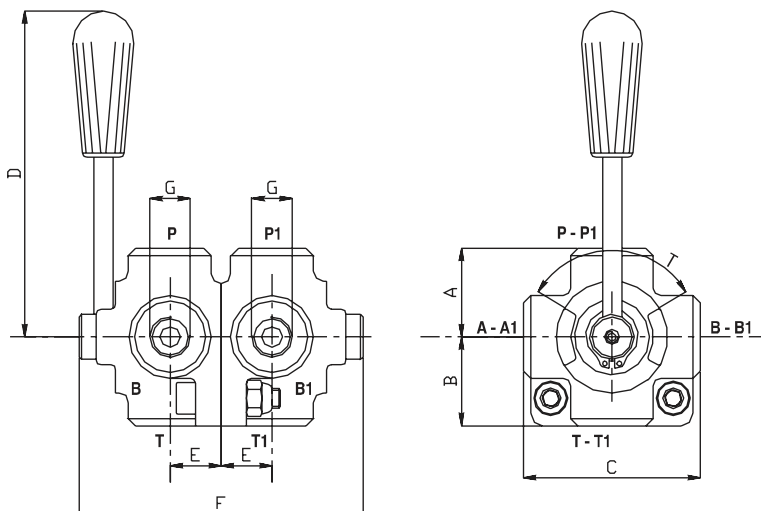
A Type (open centre): when hand lever is in the mid position all ports of

FEATURES

Cast iron body - Hardened spool - Low leakage.



Dimension	Max Pressure bar	Max Flow l/min	A	B	C	D	E	F	G Gas	T°	Weight kg
02	300	35	38.5	38.5	77	130	24	142	3/8	90	2.50
03	250	50	45	45	90	130	28	160	1/2	90	3.80
04	220	90	47.5	47.5	95	160	32	180	3/4	90	5.20



How To Order

IDF8V	-		-	
Dimension		Hydraulic Schematic		
02	3/8 GAS	A	Open Centre	
03	1/2 GAS	C	Closed Centre	
04	3/4 GAS			