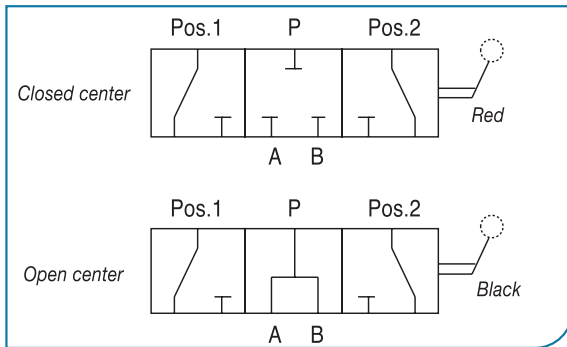


DDF3VAP Series



3 Way Flow Diverter Valve



APPLICATION

Flow diverters connect or cut off inlet flow towards two ports. This special hydraulic schematic is able to control a single action actuator. It is used for high pressure.

INSTALLATION

P port is connected to inlet flow and A and B to actuator ports.

OPERATION

Hand lever in pos. 1 allows flow towards A port.

Hand lever in pos. 2 allows flow towards B port.

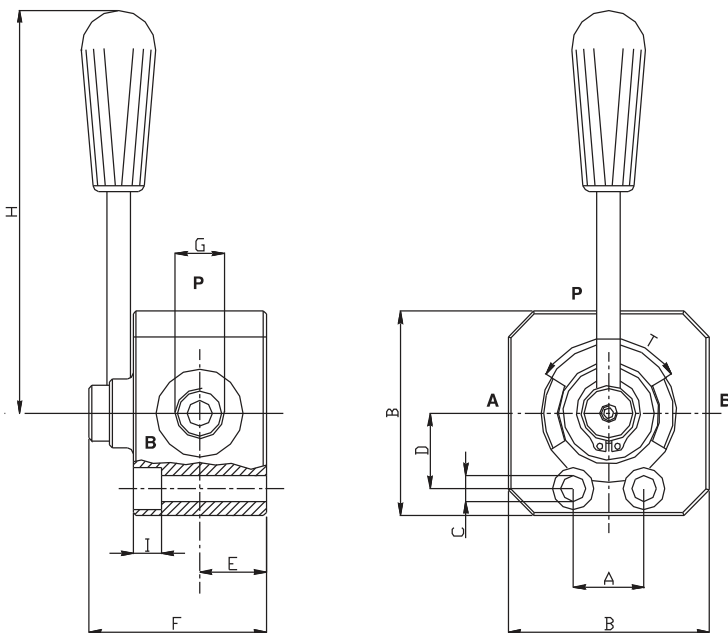
C Type (closed centre): when hand lever is in the mid position all ports are closed (though low leakage may occur).

A Type (open centre): when hand lever is in the mid position all ports are connected.

FEATURES

Zinc plated cast iron body - Hardened spool
- Low leakage - 6 ways arranged.

Dimension	Max Pressure bar	Max Flow l/min	A	B	C	D	E	F	G Gas	H	I	T°	Weight kg
02	450	60	30	68	8.5	24.75	21	62	3/8	135	10.5	90	1.38
03	400	90	36.5	83	10.5	30	24	71	1/2	130	11.5	90	2.38
04	350	120	32	87	11	30.5	28	80	3/4	130	12	90	2.88
05	320	180	60	106	11	38	31.5	89	1	160	12	90	4.76



How To Order

DDF3VAP - [] - []

Dimension	
02	3/8 GAS
03	1/2 GAS
04	3/4 GAS
05	1 GAS

Hydraulic Schematic	
A	Open Centre
C	Closed Centre