

# VS 100 Series

Solenoid Operated Selector Valves

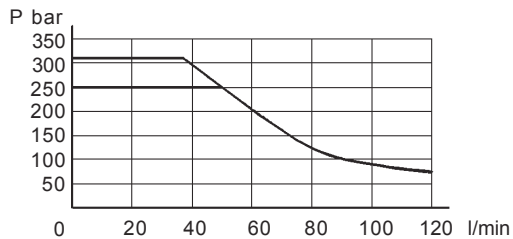


Max flow	140 l/min	Code	L 7 0 6 U J W V X Y Z
Max pressure	310 bar		Model
Ports	1/2"G-3/4"G-SAE12		
Description: <b>3 way flow diverters</b>			

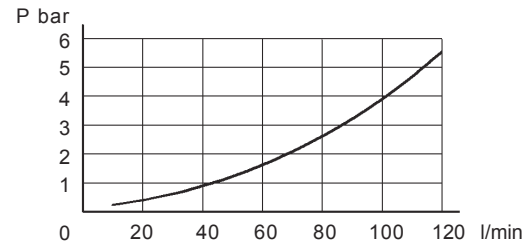
CIRCUIT					
Code	Circuit	* Transit position	Code	Circuit	* Transit position
W			W		
3A			3B		
3N			3C		
			3D		

TECHNICAL FEATURES									
V	Drain	Circuit	Spool types					Pressure max bar	
			3A	3B	3C	3D	3N		
I	Int. D.I.		250	250	250	250	250		
E	Ext. D.E.		310	310	310	310	310		

Maximum performance

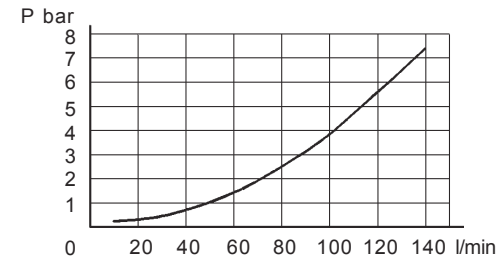
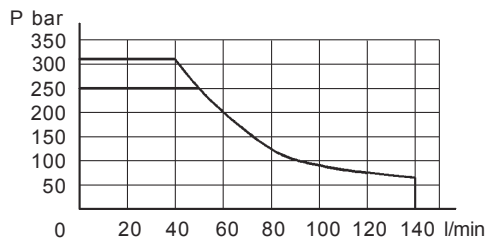


Pressure drop



VS 91

VS 92/5



Internal leakage on C ports	MIN	MAX	Mineral oil with 32 cSt viscosity, at 40°C and 100 bar pressure.
	cm <sup>3</sup> /min	cm <sup>3</sup> /min	
	12	30	

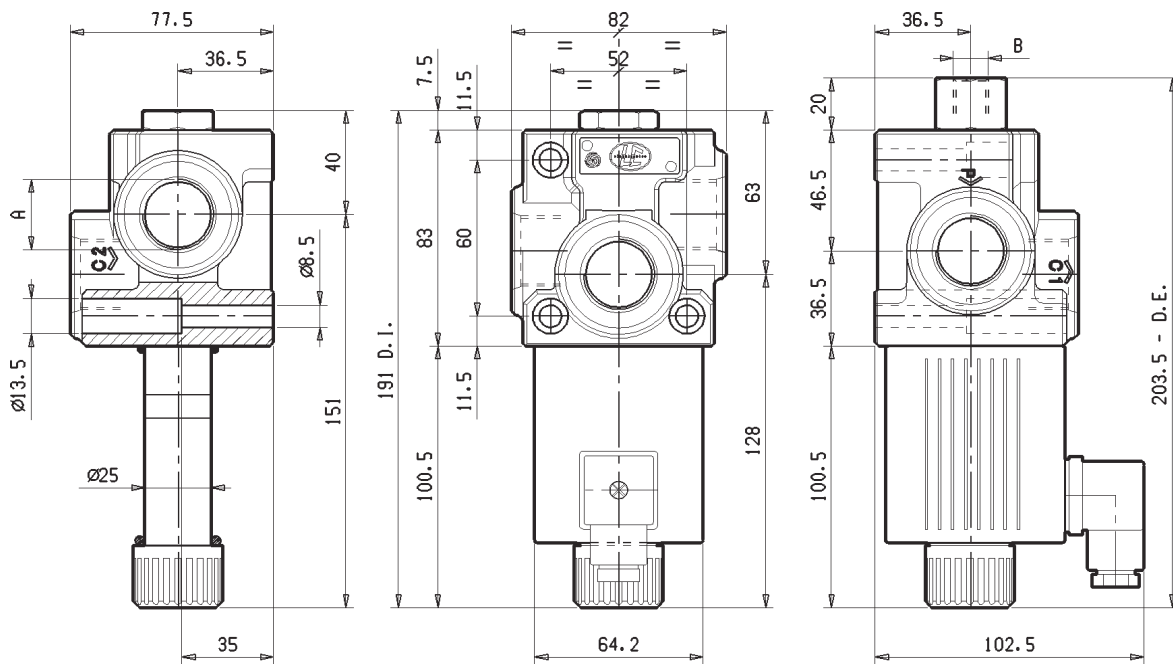
# VS 100 Series

Solenoid Operated Selector Valves



## OVER-ALL DIMENSIONS

U	Ports (A)	Ports (B)	Model
4	1/2" Gas	1/4" Gas	VS 91
5	3/4" Gas	1/4" Gas	VS 92
E	SAE 12	SAE 4	VS 95



Weight

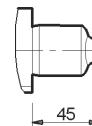
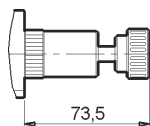
3.8 kg

## MAXIMUM BLOCKING TORQUES

Tube	Retainer nut	Fixing screws
ch. 19mm: 25÷ 27Nm	7÷8Nm	N°3 DIN 912-8.8 M8x45: 15÷ 16Nm

## OPTIONALS

J	J
<p>Screwed manual override EF Reference: LC2DZEF</p>	<p>Push-button manual override EP Reference: 281-0010</p>



# VS 100 Series

Solenoid Operated Selector Valves



OTHER ACTUATORS														
<b>J</b>	<b>X</b>	Oleopneumatic actuator OP Reference: LC2ZP	Pilot pressure											
<b>P1</b>	<b>00</b>		P. Max 200bar											
			P. Min 4bar*											
<p>With external drain (DE).</p> <p>With internal drain (DI), allow for pilot ratio 11:1. Example: at 100 bar pressure (C1, C2), will need a minimum pilot pressure of 100:11 = 9,09 bar.</p>														
ORDERING CODE														
<table border="1"> <tr> <td>L</td><td>7</td><td>0</td><td>6</td><td>U</td><td>J</td><td>W</td><td>V</td><td>*</td><td>Y</td><td>Z</td> </tr> </table>				L	7	0	6	U	J	W	V	*	Y	Z
L	7	0	6	U	J	W	V	*	Y	Z				
<b>U</b>	PORTS													
-	SEE PREVIOUS PAGE													
<b>J</b>	OPERATED													
14	ELECTRICALLY OPERATED (DZ)													
4F	ELECTRICALLY OPERATED + EF													
4P	ELECTRICALLY OPERATED + EP													
P1	OLEOPNEUMATICALLY OPERATED (OP)													
<b>W</b>	CIRCUIT													
--	SEE PREVIOUS PAGE													
<b>V</b>	DRAIN													
-	SEE PREVIOUS PAGE													
<b>Y</b>	CONNECTION													
00	WITHOUT COIL AND CONNECTOR													
01	WITH COIL, WITHOUT CONNECTOR													
02	WITH CONNECTOR DIN 43650													
<b>X</b>	VOLTAGE	Available connections												
		00	01	03	07	31	34							
00	WITHOUT COIL													
OB	12V DC	X	X	X	X	X	X							
AD	13V DC	X	X		X									
OC	24V DC	X	X	X	X	X	X							
AC	27V DC	X	X		X									
OD	48V DC	X	X											
OV	24 RAC (21.5 DC)	X	X											
OW	110 RAC (98 DC)	X	X											
OZ	230 RAC (207 DC)	X	X											
<b>Z</b>	VERSION													
0	STANDARD													
V	SEALS IN VITON													

# VS 100 Series

Coils



## COILS C65

J

14

4\_

Weight: 1,050 kg - Insulation Class: H - Working Duty: ED 100% only if the room temperature does not exceed 40°C.

Inlet voltage: should not exceed +5% / -10% of the nominal value.

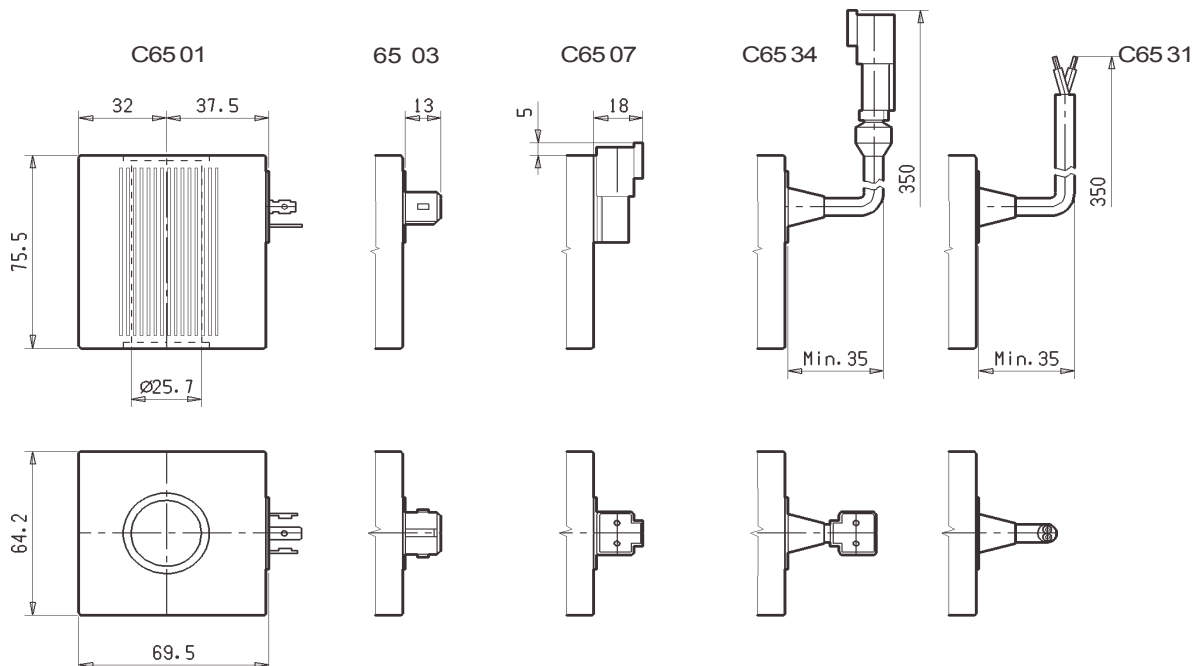
Available voltages: Look at table. On request different voltages can be supplied.

Low voltage: conforms to the 73/23/CEE and 89/336/CEE directives. Standard connections: DIN 43650-ISO 4400.

Versions with sheathed cables as well as with Deutsch and AMP JUNIOR connector are equipped with bi-directional diode.

Protection Class according to DIN 40050: only if the coil is assembled correctly with O'ring and retainer:

- IP65 with DIN 43650 connector, only if it is assembled with rubber sealings and the fixing screw is properly tightened.
- IP69k for versions with Deutsch connector.



Reference	Model	Connection	Nominal voltage volt	Marking	Power watt	Nominal current ampere	Resistance #	
							± 7%	T=20°C
281-0617	C6501 12DC	DIN 43650 - ISO 4400	12 DC	12 VDC	44	3.60	3.2	
281-06190	C6531 12DC	CABLES	12 DC	12 VDC	44	3.60	3.2	
281-0631	C6503 12DC	AMP JUNIOR	12 DC	12 VDC	44	3.60	3.2	
281-06191	C6534 12DC	CABLE + DEUTSCH	12 DC	12 VDC	44	3.60	3.2	
281-06194	C6507 12DC	DEUTSCH DT04-2P	12 DC	12 VDC	44	3.60	3.2	
281-061700	C6501 13DC	DIN 43650 - ISO 4400	13 DC	13 VDC	44	3.40	3.6	
281-06198	C6507 13DC	DEUTSCH DT04-2P	13 DC	13 VDC	44	3.40	3.9	
281-0618	C6501 24DC	DIN 43650 - ISO 4400	24 DC	24 VDC	44	1.80	12.8	
281-06195	C6531 24DC	CABLES	24 DC	24 VDC	44	1.80	12.8	
281-0632	C6503 24DC	AMP JUNIOR	24 DC	24 VDC	44	1.80	12.8	
281-06196	C6534 24DC	CABLE + DEUTSCH	24 DC	24 VDC	44	1.80	12.8	
281-06197	C6507 24DC	DEUTSCH DT04-2P	24 DC	24 VDC	44	1.80	12.8	
281-061800	C6501 27DC	DIN 43650 - ISO 4400	27 DC	27 VDC	44	1.60	16.9	
281-06199	C6507 27DC	DEUTSCH DT04-2P	27 DC	27 VDC	44	1.60	16.7	
281-0621	C6501 48DC	DIN 43650 - ISO 4400	48 DC	48 VDC	44	0.90	50.5	
281-0622	C6501 24 50 RAC	DIN 43650 - ISO 4400	21.5 DC	21.5 VDC	44	2.00	11	
281-0623	C6501 110 50 RAC	DIN 43650 - ISO 4400	98 DC	98 VDC	44	0.45	98	
281-0624	C6501 230 50 RAC	DIN 43650 - ISO 4400	207 DC	207 VDC	44	0.21	997	