

VS 300 Series

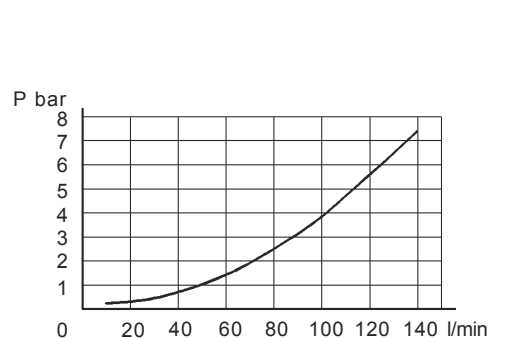
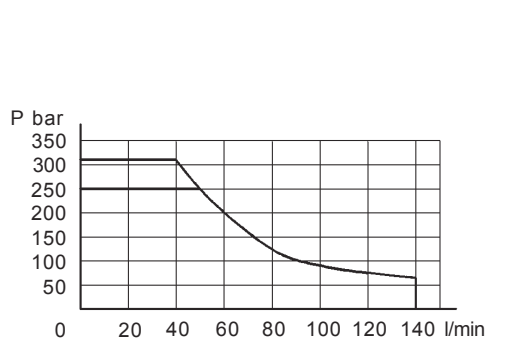
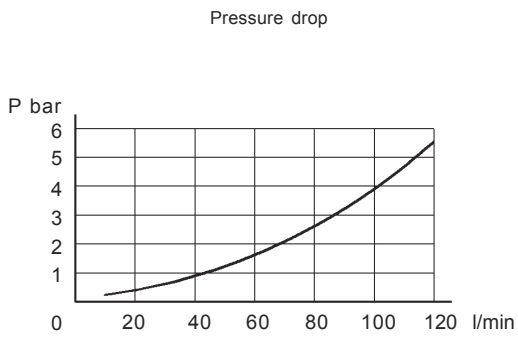
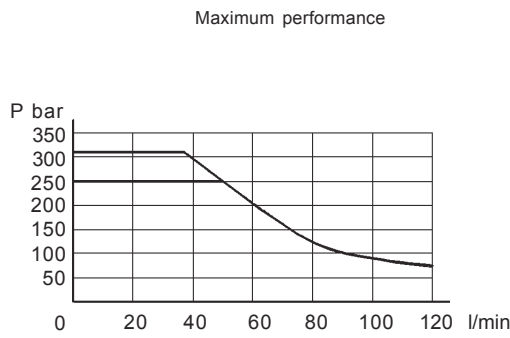
Solenoid Operated Selector Valves



Max flow	140 l/min	Code	L 7 5 3 U J W V * Y Z
Max pressure	310 bar		
Ports	1/2" G-3/4" G-SAE12	Model	VS 311/312/315
Description: 6 way flow diverters			

CIRCUIT					
Code	Circuit	* Transit position	Code	Circuit	* Transit position
W			W		
6A			6F		
6B			6G		
6E					

TECHNICAL FEATURES										
V	Drain	Circuit	Spool types							Pressure max bar
			6A	6B	6E	6F	6G			
I	Int. D.I.		250	250	250	310	310			
E	Ext. D.E.		310	310	310	-	-			



Internal leakage on C ports	MIN	MAX	Mineral oil with 32 cSt viscosity, at 40°C and 100 bar pressure.
	cm ³ /min	cm ³ /min	
	12	30	

VS 300 Series

Solenoid Operated Selector Valves



OTHER ACTUATORS							
J	X	Oleopneumatic actuator OP Reference: LC2ZP	Pilot pressure				
P1	00		P. Max 200bar				
			P. Min 4bar*				
*With external drain (DE).							
		With internal drain (DI), allow for pilot ratio 11:1. Example: at 100 bar pressure (C1, C2, C3, C4), will need a minimum pilot pressure of 100:11 = 9,09 bar.					
ORDERING CODE							
L 7 5 3 U J W V * Y Z							
U	PORTS						
-	SEE PREVIOUS PAGE						
W	CIRCUIT						
--	SEE PREVIOUS PAGE						
V	DRAIN						
-	SEE PREVIOUS PAGE						
Y	CONNECTION						
00	WITHOUT COIL AND CONNECTOR						
01	WITH COIL, WITHOUT CONNECTOR						
02	WITH CONNECTOR DIN 43650						
J	OPERATED						
14	ELECTRICALLY OPERATED (DZ)						
4F	ELECTRICALLY OPERATED + EF						
4P	ELECTRICALLY OPERATED + EP						
P1	OLEOPNEUMATICALLY OPERATED (OP)						
X	VOLTAGE	Available connections					
		00	01	03	07	31	34
00	WITHOUT COIL						
OB	12V DC	X	X	X	X	X	X
AD	13V DC	X	X		X		
OC	24V DC	X	X	X	X	X	X
AC	27V DC	X	X		X		
OD	48V DC	X	X				
OV	24 RAC (21.5 DC)	X	X				
OW	110 RAC (98 DC)	X	X				
OZ	230 RAC (207 DC)	X	X				
Z	VERSION						
0	STANDARD						
V	SEALS IN VITON						

VS 300 Series



Coils

COILS C65

J

14

4_

Weight: 1,050 kg - Insulation Class: H - Working Duty: ED 100% only if the room temperature does not exceed 40°C.

Inlet voltage: should not exceed +5% / -10% of the nominal value.

Available voltages: Look at table. On request different voltages can be supplied.

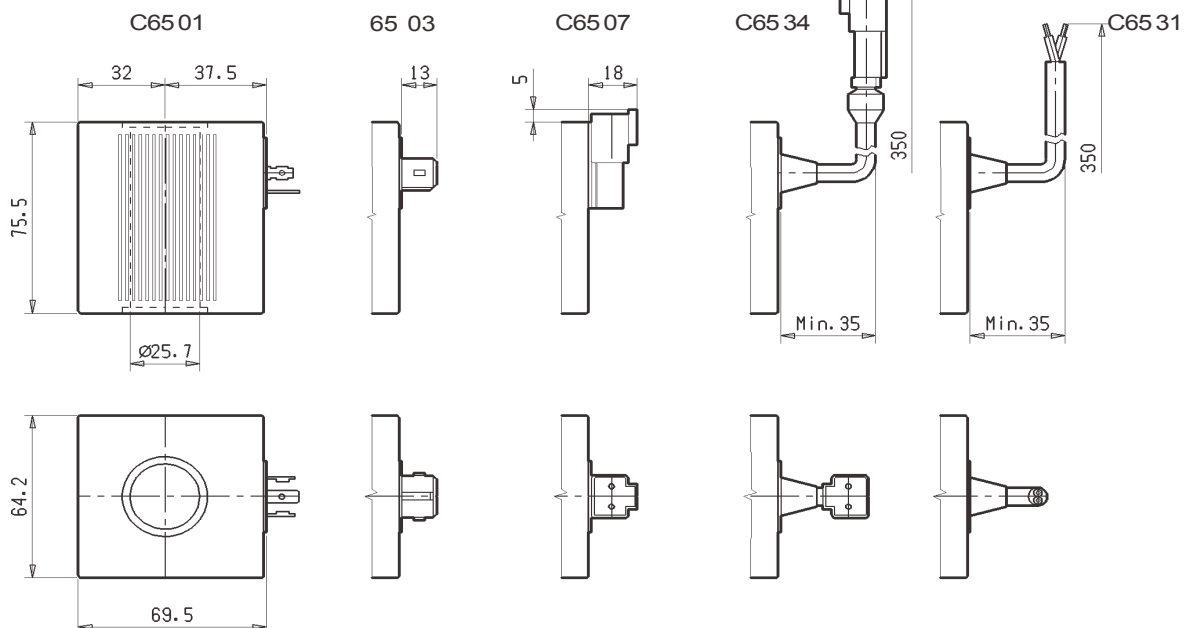
Low voltage: conforms to the 73/23/CEE and 89/336/CEE directives. Standard connections: DIN 43650-ISO 4400.

Versions with sheathed cables as well as with Deutsch and AMP JUNIOR connector are equipped with bi-directional diode.

Protection Class according to DIN 40050: only if the coil is assembled correctly with O'ring and retainer:

- IP65 with DIN 43650 connector, only if it is assembled with rubber sealings and the fixing screw is properly tightened.

- IP69k for versions with Deutsch connector.



Reference	Model	Connection	Nominal voltage volt	Marking	Power watt	Nominal current ampere	Resistance	
							#	± 7% T=20°C
281-0617	C6501 12DC	DIN 43650 - ISO 4400	12 DC	12 VDC	44	3.60	3.2	
281-06190	C6531 12DC	CABLES	12 DC	12 VDC	44	3.60	3.2	
281-0631	C6503 12DC	AMP JUNIOR	12 DC	12 VDC	44	3.60	3.2	
281-06191	C6534 12DC	CABLE + DEUTSCH	12 DC	12 VDC	44	3.60	3.2	
281-06194	C6507 12DC	DEUTSCH DT04-2P	12 DC	12 VDC	44	3.60	3.2	
281-061700	C6501 13DC	DIN 43650 - ISO 4400	13 DC	13 VDC	44	3.40	3.6	
281-06198	C6507 13DC	DEUTSCH DT04-2P	13 DC	13 VDC	44	3.40	3.9	
281-0618	C6501 24DC	DIN 43650 - ISO 4400	24 DC	24 VDC	44	1.80	12.8	
281-06195	C6531 24DC	CABLES	24 DC	24 VDC	44	1.80	12.8	
281-0632	C6503 24DC	AMP JUNIOR	24 DC	24 VDC	44	1.80	12.8	
281-06196	C6534 24DC	CABLE + DEUTSCH	24 DC	24 VDC	44	1.80	12.8	
281-06197	C6507 24DC	DEUTSCH DT04-2P	24 DC	24 VDC	44	1.80	12.8	
281-061800	C6501 27DC	DIN 43650 - ISO 4400	27 DC	27 VDC	44	1.60	16.9	
281-06199	C6507 27DC	DEUTSCH DT04-2P	27 DC	27 VDC	44	1.60	16.7	
281-0621	C6501 48DC	DIN 43650 - ISO 4400	48 DC	48 VDC	44	0.90	50.5	
281-0622	C6501 24 50 RAC	DIN 43650 - ISO 4400	21.5 DC	21.5 VDC	44	2.00	11	
281-0623	C6501 110 50 RAC	DIN 43650 - ISO 4400	98 DC	98 VDC	44	0.45	98	
281-0624	C6501 230 50 RAC	DIN 43650 - ISO 4400	207 DC	207 VDC	44	0.21	997	