

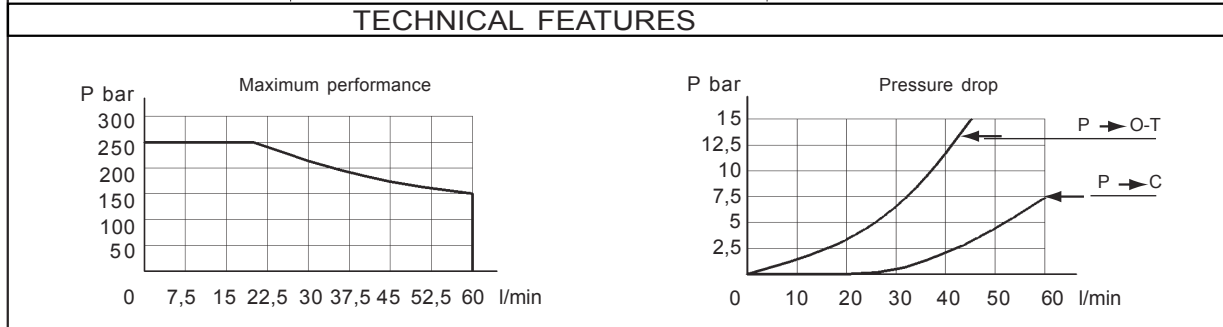
# VS 500 Series

Solenoid Operated Selector Valves

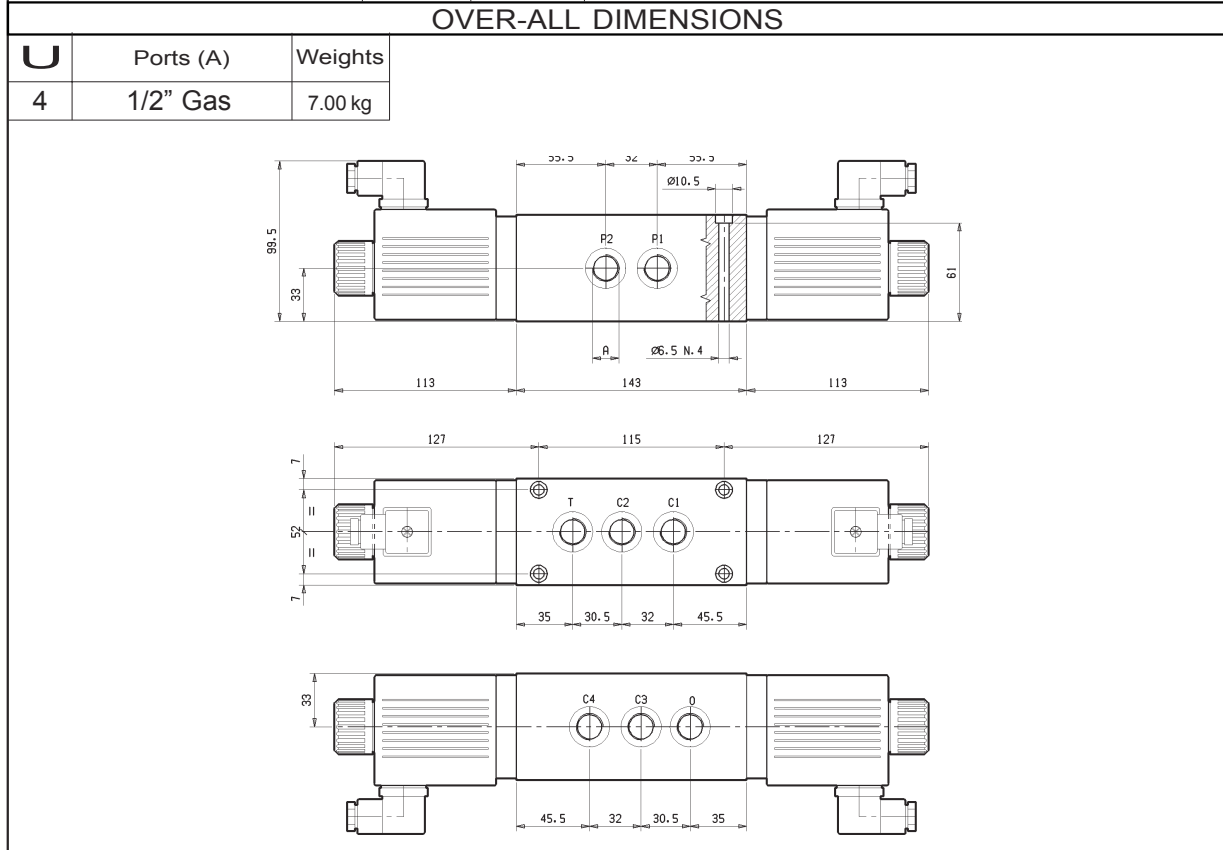


Max flow	60 l/min	Code	L 7 6 0 4 J 8 A I * Y Z
Max pressure	250 bar		
Ports	1/2" Gas	Model	<b>VS 501</b>
Description: <b>8 way flow diverters</b>			

CIRCUIT		
Code	Circuit	* Transit position
W		
8A		



Internal leakage on C ports	MIN	MAX	Mineral oil with 32 cSt viscosity, at 40°C and 100 bar pressure.
	cm <sup>3</sup> /min	cm <sup>3</sup> /min	
	15	40	



# VS 500 Series

Solenoid Operated Selector Valves



## MAXIMUM BLOCKING TORQUES

Retainer nut  
7±8Nm

Fixing screws  
N°4 DIN 912-8.8 M6x70: 9± 10Nm

## OPTIONS

**J**

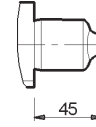
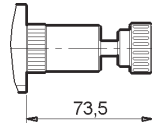
Screwed manual override EF  
Reference : LC2DZEF

**J**

Push-button manual override EP  
Reference : 281-0010

**\_F**

**\_P**



## ORDERING CODE

L7604 J 8A I \* Y Z

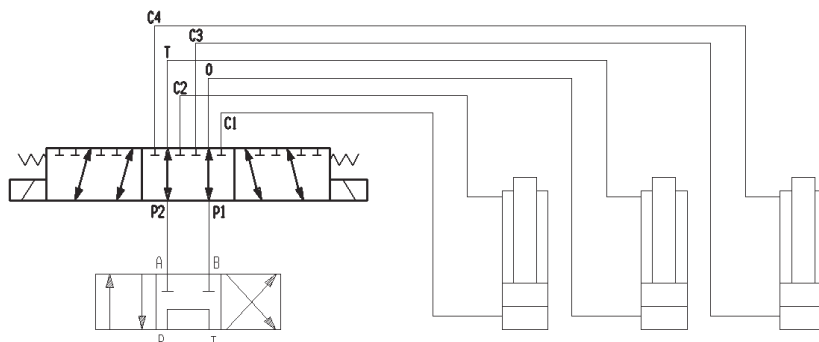
<b>Y</b>	CONNECTION
00	WITHOUT COIL AND CONNECTOR
01	WITH COIL, WITHOUT CONNECTOR
02	WITH CONNECTOR DIN 43650
03	AMP JUNIOR
07	DT04-2P DEUTSCH
31	CABLE 350 mm
34	CABLE 350 mm + DT04-2P DEUTSCH

<b>J</b>	OPERATED
04	ELECTRICALLY OPERATED (DZ)
4F	ELECTRICALLY OPERATED + EF
4P	ELECTRICALLY OPERATED + EP

<b>Z</b>	VERSION
0	STANDARD
V	SEALS IN VITON

<b>X</b>	VOLTAGE	Available connections					
		00	01	03	07	31	34
00	WITHOUT COIL						
OB	12V DC	X	X	X	X	X	X
AD	13V DC	X	X		X		
OC	24V DC	X	X	X	X	X	X
AC	27V DC	X	X		X		
OD	48V DC	X	X				
OV	24 RAC (21.5 DC)	X	X				
OW	110 RAC (98 DC)	X	X				
OZ	230 RAC (207 DC)	X	X				

## APPLICATION EXAMPLE



# VS 500 Series

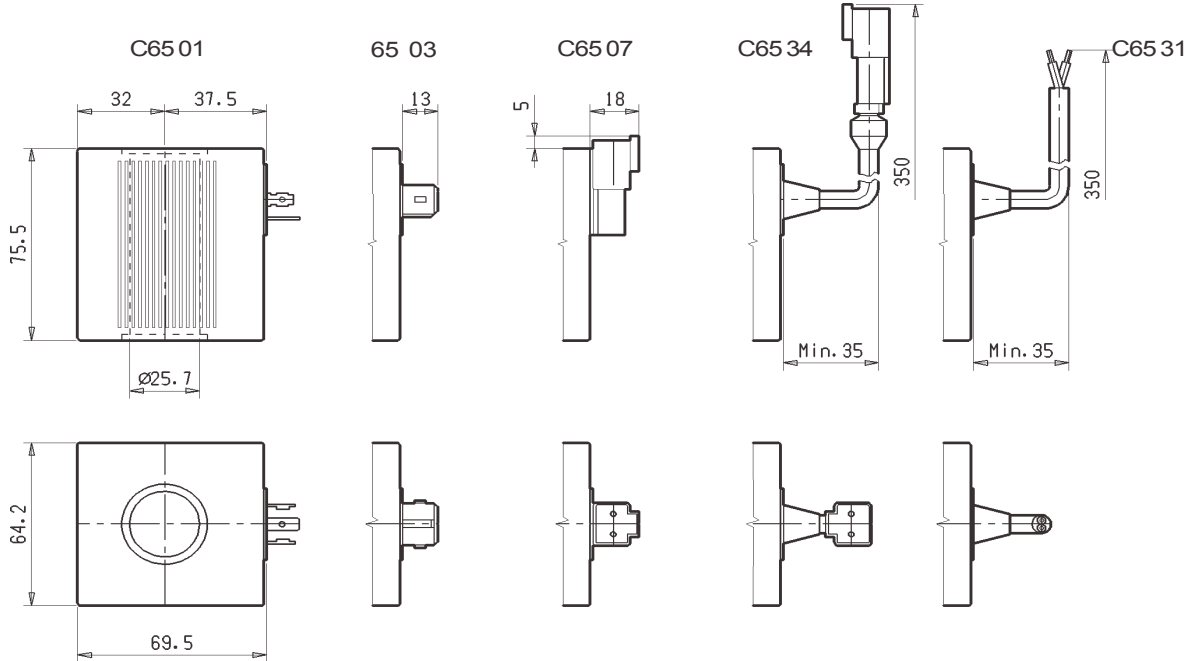


Coils

## COILS C65

**J**  
14  
4

Weight: 1,050 kg - Insulation Class: H - Working Duty: ED 100% only if the room temperature does not exceed 40°C.  
 Inlet voltage: should not exceed +5% / -10% of the nominal value.  
 Available voltages: Look at table. On request different voltages can be supplied.  
 Low voltage: conforms to the 73/23/CEE and 89/336/CEE directives. Standard connections: DIN 43650-ISO 4400.  
 Versions with sheathed cables as well as with Deutsch and AMP JUNIOR connector are equipped with bi-directional diode.  
 Protection Class according to DIN 40050: only if the coil is assembled correctly with O'ring and retainer:  
 - IP65 with DIN 43650 connector, only if it is assembled with rubber sealings and the fixing screw is properly tightened.  
 - IP69k for versions with Deutsch connector.



Reference	Model	Connection	Nominal voltage volt	Marking	Power watt	Nominal current ampere	Resistance	
							#	± 7% T=20°C
281-0617	C6501 12DC	DIN 43650 - ISO 4400	12 DC	12 VDC	44	3.60	3.2	
281-06190	C6531 12DC	CABLES	12 DC	12 VDC	44	3.60	3.2	
281-0631	C6503 12DC	AMP JUNIOR	12 DC	12 VDC	44	3.60	3.2	
281-06191	C6534 12DC	CABLE + DEUTSCH	12 DC	12 VDC	44	3.60	3.2	
281-06194	C6507 12DC	DEUTSCH DT04-2P	12 DC	12 VDC	44	3.60	3.2	
281-061700	C6501 13DC	DIN 43650 - ISO 4400	13 DC	13 VDC	44	3.40	3.6	
281-06198	C6507 13DC	DEUTSCH DT04-2P	13 DC	13 VDC	44	3.40	3.9	
281-0618	C6501 24DC	DIN 43650 - ISO 4400	24 DC	24 VDC	44	1.80	12.8	
281-06195	C6531 24DC	CABLES	24 DC	24 VDC	44	1.80	12.8	
281-0632	C6503 24DC	AMP JUNIOR	24 DC	24 VDC	44	1.80	12.8	
281-06196	C6534 24DC	CABLE + DEUTSCH	24 DC	24 VDC	44	1.80	12.8	
281-06197	C6507 24DC	DEUTSCH DT04-2P	24 DC	24 VDC	44	1.80	12.8	
281-061800	C6501 27DC	DIN 43650 - ISO 4400	27 DC	27 VDC	44	1.60	16.9	
281-06199	C6507 27DC	DEUTSCH DT04-2P	27 DC	27 VDC	44	1.60	16.7	
281-0621	C6501 48DC	DIN 43650 - ISO 4400	48 DC	48 VDC	44	0.90	50.5	
281-0622	C6501 24 50 RAC	DIN 43650 - ISO 4400	21.5 DC	21.5 VDC	44	2.00	11	
281-0623	C6501 110 50 RAC	DIN 43650 - ISO 4400	98 DC	98 VDC	44	0.45	98	
281-0624	C6501 230 50 RAC	DIN 43650 - ISO 4400	207 DC	207 VDC	44	0.21	997	