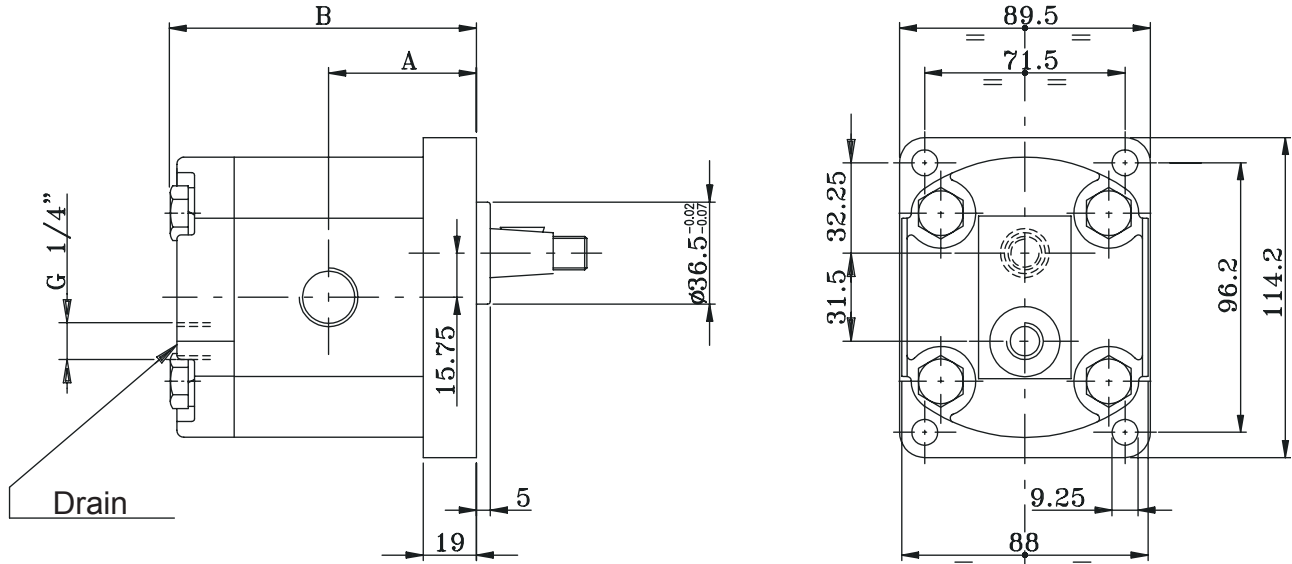


2SMG Series

Reversible Gear Motors



DIMENSIONAL DETAILS



P1 = Continuous Operating Pressure
P2 = Intermittent Operating Pressure

DIN Group 2 - 4 Bolt Mount - 1:8 Taper Shaft - Cast Iron End Covers

Stock No.	Displacement cc/rev	Ports		Dimension		Speed RPM	Max. Pressure Bar		Weight Kg
		Inlet	Outlet	A	B		P1	P2	
2SMG4RK10U	4.0	7/8" UNO	7/8" UNO	44.4	93.0	4000	230	230	2.30
2SMG6RK10U	6.0			46.0	96.3	4000	230	230	2.45
2SMG8RK10U	8.5			48.1	100.5	3500	230	230	2.60
2SMG11RK10U	11.0	1-1/16" UNO	1-1/16" UNO	50.2	104.6	3500	230	230	2.70
2SMG14RK10U	14.0			52.7	109.6	3500	230	230	2.80
2SMG16RK10U	16.5			54.8	113.8	3500	195	200	2.95
2SMG19RK10U	19.5			57.3	118.8	3300	180	185	3.10
2SMG22RK10U	22.5			59.8	123.8	2800	165	170	3.25
2SMG26RK10U	26.0			62.7	129.6	2500	150	155	3.40

Reversible motors have a 1/4" BSPP case drain port. This allows 2 or more motors to be connected in series. It is not possible to plug case drain even if you use the motor in one direction. Maximum back pressure on case drain is 30 bar.

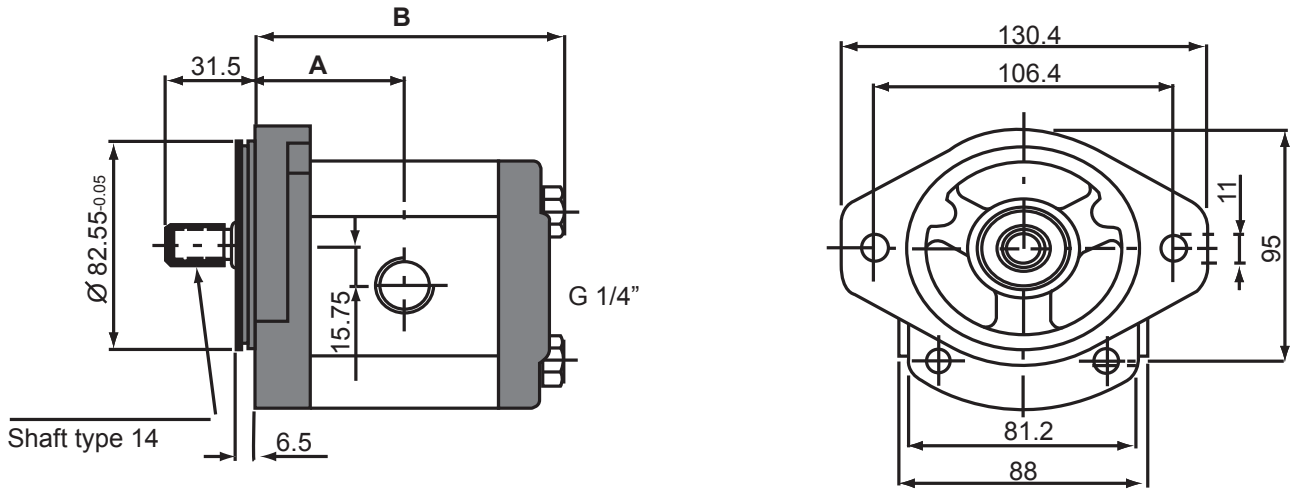
Avoid axial and radial loads on the shafts.

2SMG Series

Reversible Gear Motors



DIMENSIONAL DETAILS



P1 = Continuous Operating Pressure
P2 = Intermittent Operating Pressure

SAE 'A' - 2 Bolt Mount - 5/8" Straight Keyed Shaft - Cast Iron End Covers

Stock No.	Displacement cc/rev	Ports		Dimension		Speed RPM	Max. Pressure Bar		Weight Kg
		Inlet	Outlet	A	B		P1	P2	
2SMG4RSAEK13U	4.0	7/8" UNO	7/8" UNO	44.4	93.0	4000	230	230	2.30
2SMG6RSAEK13U	6.0			46.0	96.3	4000	230	230	2.45
2SMG8RSAEK13U	8.5			48.1	100.5	3500	230	230	2.60
2SMG11RSAEK13U	11.0	1-1/16" UNO	1-1/16" UNO	50.2	104.6	3500	230	230	2.70
2SMG14RSAEK13U	14.0			52.7	109.6	3500	230	230	2.80
2SMG16RSAEK13U	16.5			54.8	113.8	3500	195	200	2.95
2SMG19RSAEK13U	19.5			57.3	118.8	3300	180	185	3.10
2SMG22RSAEK13U	22.5			59.8	123.8	2800	165	170	3.25
2SMG26RSAEK13U	26.0			62.7	129.6	2500	150	155	3.40

Reversible motors have a 1/4" BSPP case drain port. This allows 2 or more motors to be connected in series. It is not possible to plug case drain even if you use the motor in one direction. Maximum back pressure on case drain is 30 bar.

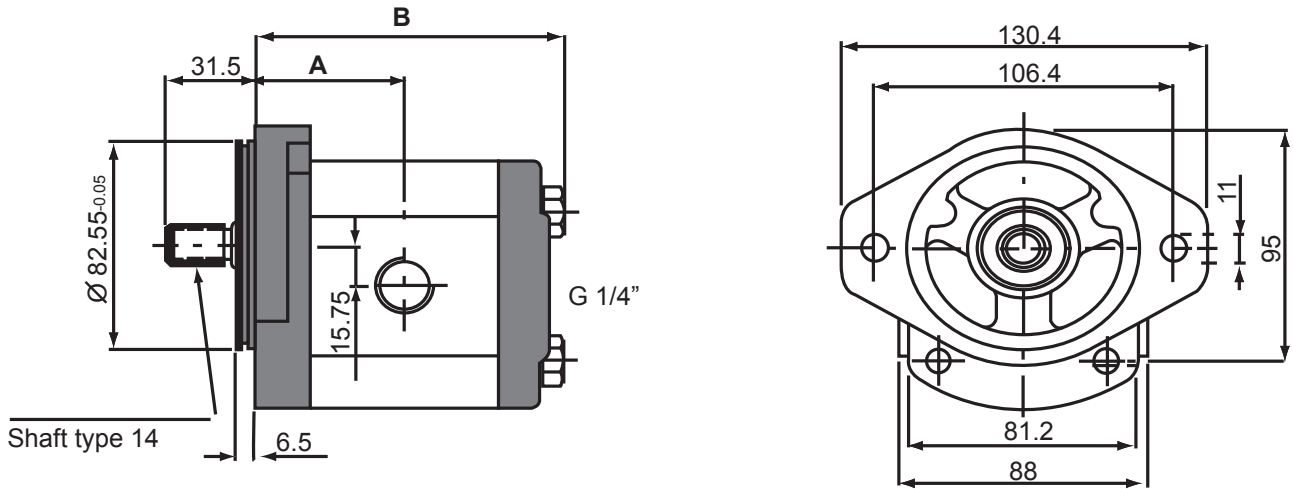
Avoid axial and radial loads on the shafts.

2SMG Series

Reversible Gear Motors



DIMENSIONAL DETAILS



P1 = Continuous Operating Pressure
P2 = Intermittent Operating Pressure

SAE 'A' - 2 Bolt Mount - 5/8" 9 Tooth Splined Shaft - Cast Iron End Covers

Stock No.	Displacement cc/rev	Ports		Dimension		Speed RPM	Max. Pressure Bar		Weight Kg
		Inlet	Outlet	A	B		P1	P2	
2SMG4RSAEK14U	4.0	7/8" UNO	7/8" UNO	44.4	93.0	4000	230	230	2.30
2SMG6RSAEK14U	6.0			46.0	96.3	4000	230	230	2.45
2SMG8RSAEK14U	8.5			48.1	100.5	3500	230	230	2.60
2SMG11RSAEK14U	11.0	1-1/16" UNO	1-1/16" UNO	50.2	104.6	3500	230	230	2.70
2SMG14RSAEK14U	14.0			52.7	109.6	3500	230	230	2.80
2SMG16RSAEK14U	16.5			54.8	113.8	3500	195	200	2.95
2SMG19RSAEK14U	19.5			57.3	118.8	3300	180	185	3.10
2SMG22RSAEK14U	22.5			59.8	123.8	2800	165	170	3.25
2SMG26RSAEK14U	26.0	62.7	129.6	2500	150	155	3.40		

Reversible motors have a 1/4" BSPP case drain port. This allows 2 or more motors to be connected in series. It is not possible to plug case drain even if you use the motor in one direction. Maximum back pressure on case drain is 30 bar.

Avoid axial and radial loads on the shafts.

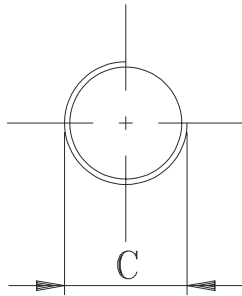
2SMG Series

Reversible Gear Motors



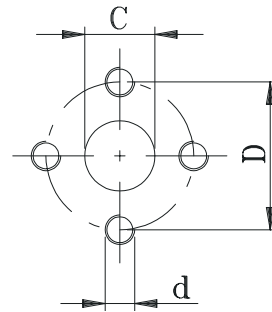
CONNECTIONS

TYPE G



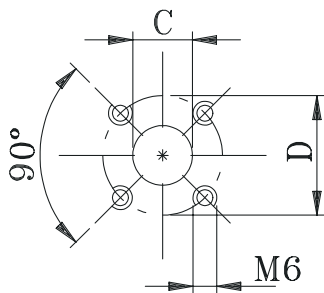
TYPE	C
4 ÷ 8	G 1/2"
11 ÷ 26	G 3/4"

TYPE N



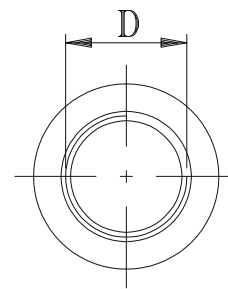
TYPE	C	D	d
4 ÷ 8	13	30	M6
11 ÷ 26	19	40	M8

TYPE T



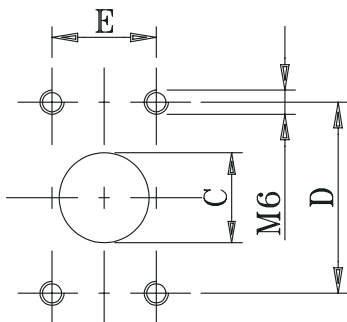
TYPE	C	D
4 ÷ 8	15	35
11 ÷ 26	20	40

TYPE U



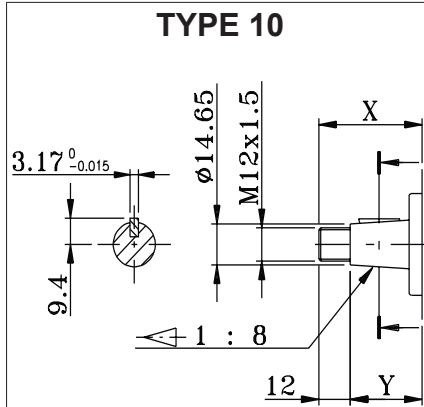
TYPE	D
4 ÷ 8	7/8-14UNF
11 ÷ 26	1" 1/16-12UN

TYPE F

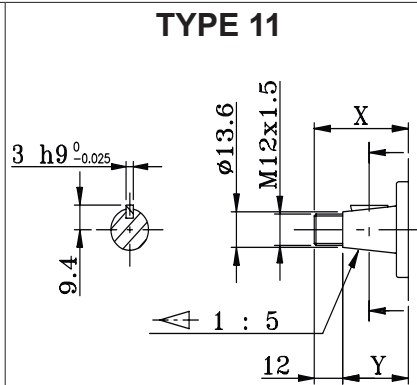


TYPE	C	D	E
4 ÷ 11	20	38	17.4
14 ÷ 26	26	22.4	47.6

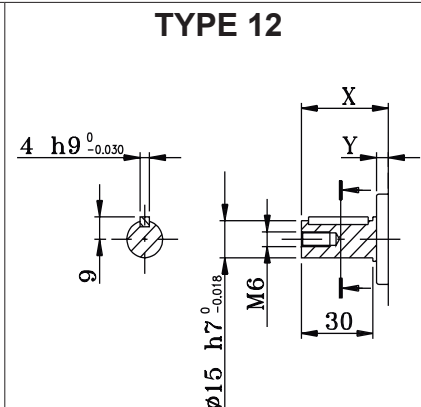
SHAFTS



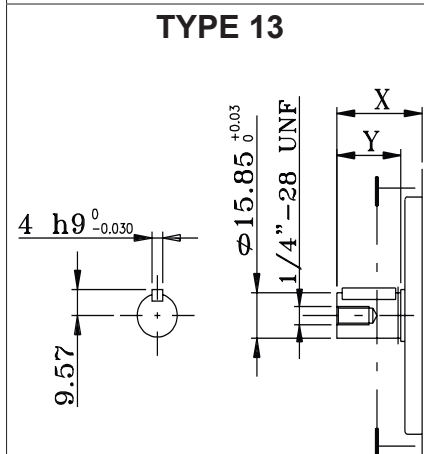
Flange Type	X	Y
Standard	39.5	27.5



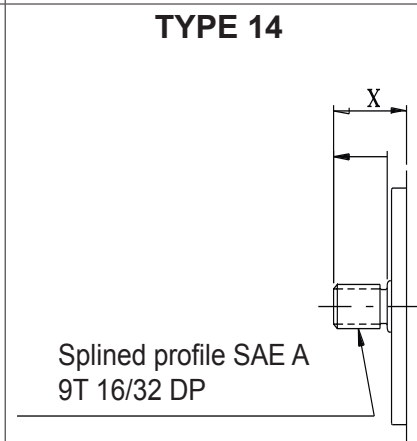
Flange Type	X	Y
Standard	39.5	27.5



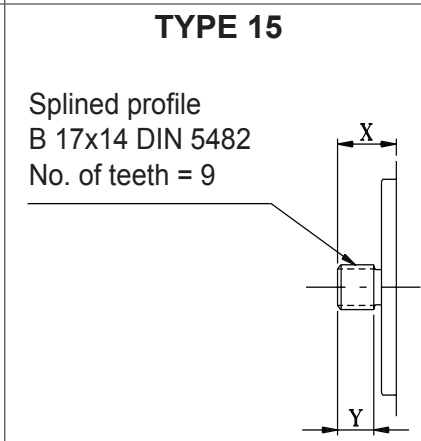
Flange Type	X	Y
Standard	39.5	27.5



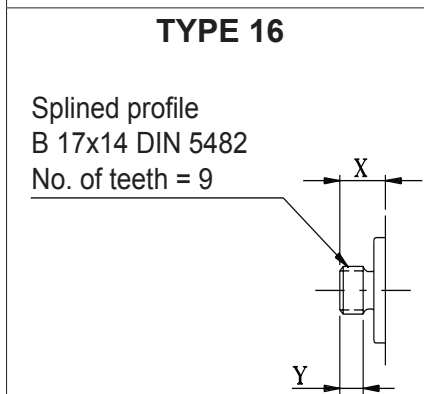
Flange Type	X	Y
Standard	39.5	27.5



Flange Type	X	Y
Standard	39.5	27.5



Flange Type	X	Y
Standard	39.5	27.5



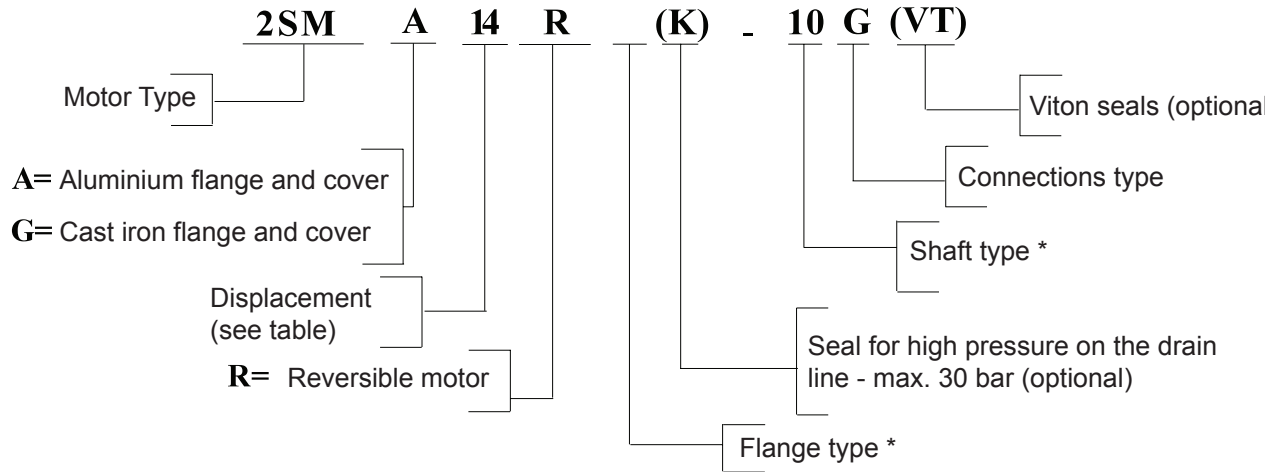
Flange Type	X	Y
Standard	39.5	27.5

2SMG Series

Reversible Gear Motors



HOW TO ORDER



* Shafts and flanges of reversible motors are the same as that of the pumps.