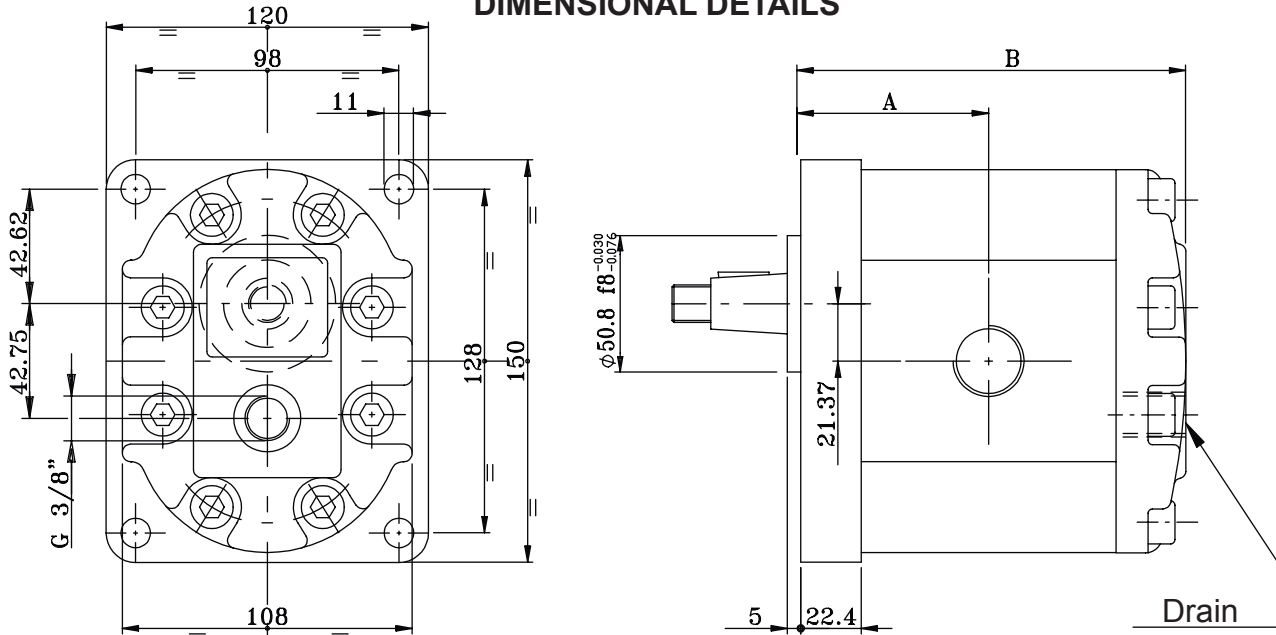


# 3SMG Series

Reversible Gear Motors



## DIMENSIONAL DETAILS



P1 = Continuous Operating Pressure  
P2 = Intermittent Operating Pressure

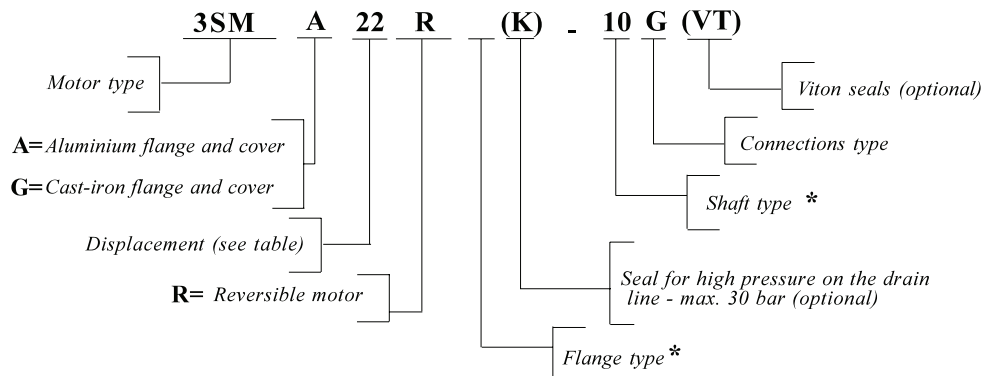
### DIN Group 3 - 4 Bolt Mount - 1:8 Taper Shaft - Cast Iron End Covers

Stock No.	Displacement cc/rev	Ports		Dimension mm		Max. Speed RPM	Max. Pressure Bar		Weight Kg
		Inlet	Outlet	A	B		P1	P2	
3SM 29RK10G	29.3	1" BSPP	1" BSPP	66.9	137.3	3300	190	230	5.67
3SM 33RK10G	32.9			68.4	140.3	3300	190	220	5.81
3SM 36RK10G	36.4			69.9	143.3	3300	180	205	5.94
3SM 44RK10G	43.5			72.9	149.3	3000	170	205	6.22
3SM 52RK10G	51.7			76.4	156.3	3000	170	195	6.53
3SM 62RK10G	61.1			80.4	164.3	2500	155	160	6.90

Reversible motors have a 1/4" BSPP case drain port. This allows 2 or more motors to be connected in series. It is not possible to plug case drain even if you use the motor in one direction. Maximum back pressure on case drain is 30 bar.

Avoid axial and radial loads on the shafts.

### HOW TO ORDER



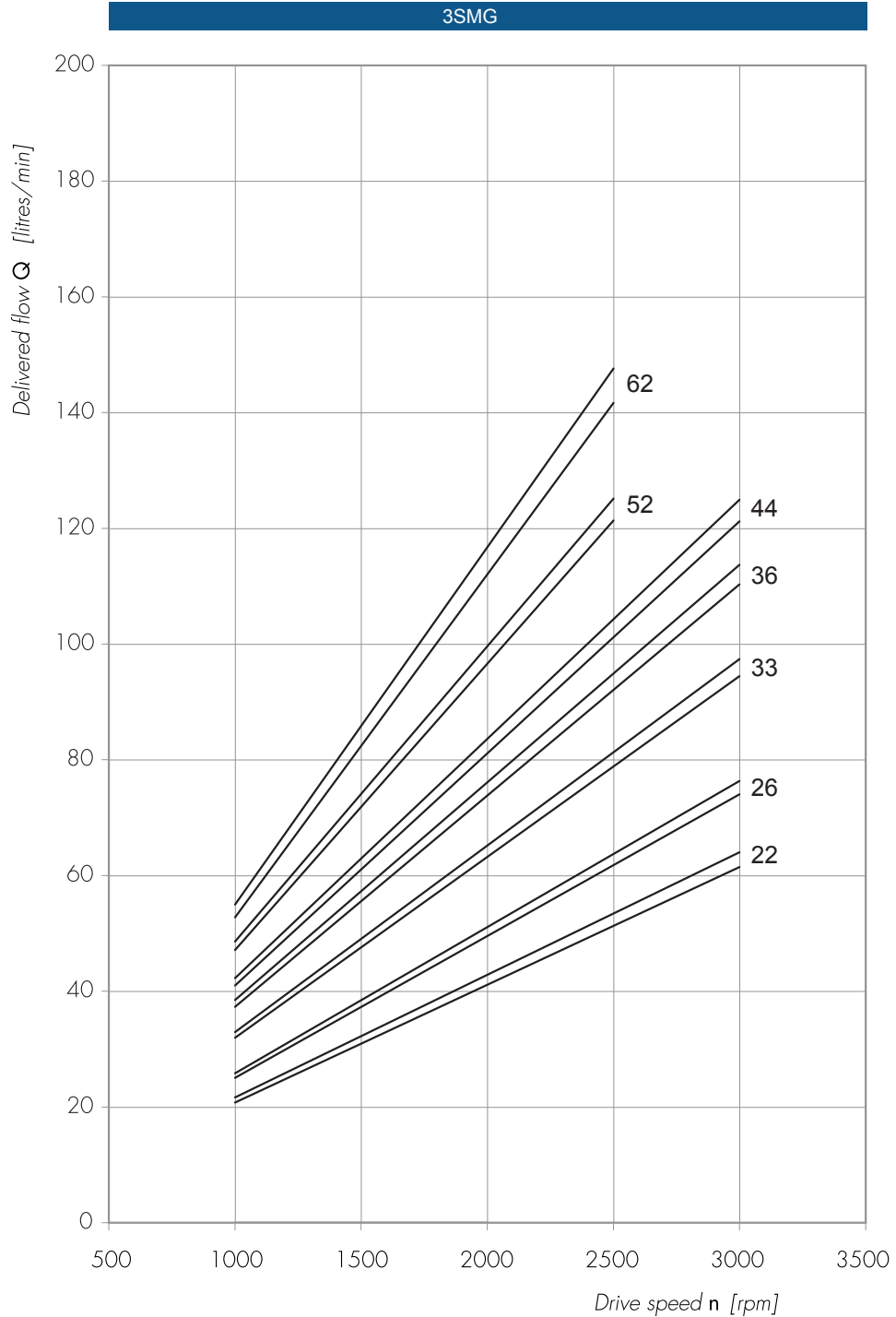
\* Shafts and flanges of reversible motors are the same as that of the pumps.

# 3SMG Series

Reversible Gear Motors



## 3SMG PERFORMANCE CURVES



Each curve has been obtained at 50°C, using oil with viscosity 30 cSt at these pressure.

22 | 25-250 bar  
26 |

52 | 25-220 bar

33 | 25-240 bar  
36 |  
44 |

62 | 25-200 bar

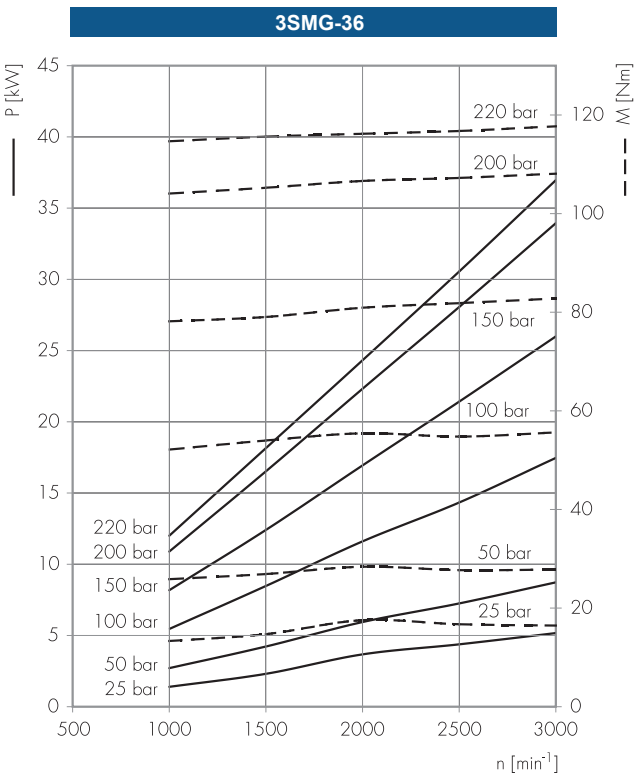
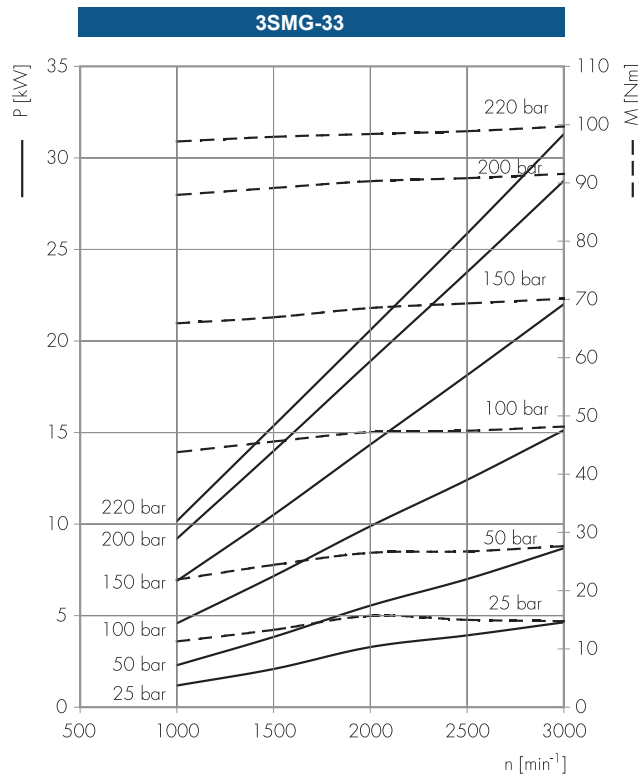
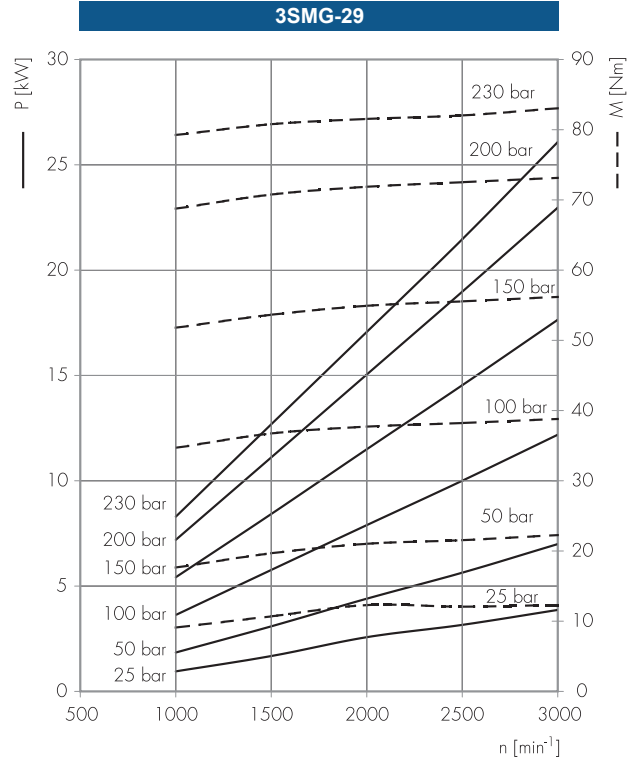
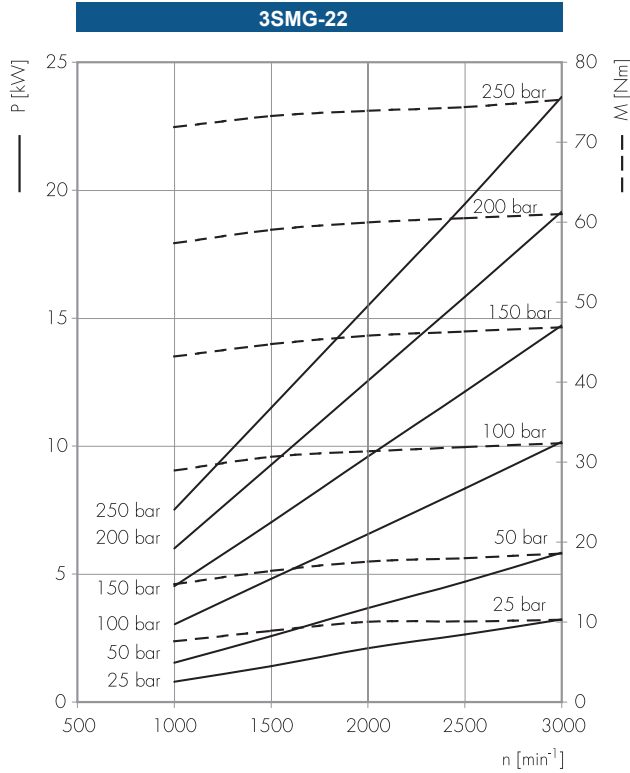
# 3SMG Series



Reversible Gear Motors

## TYPICAL PERFORMANCE DATA

Delivered power  $P$  [kW]  
 Delivered torque  $M$  [Nm]  
 Drive speed  $n$  [rpm]

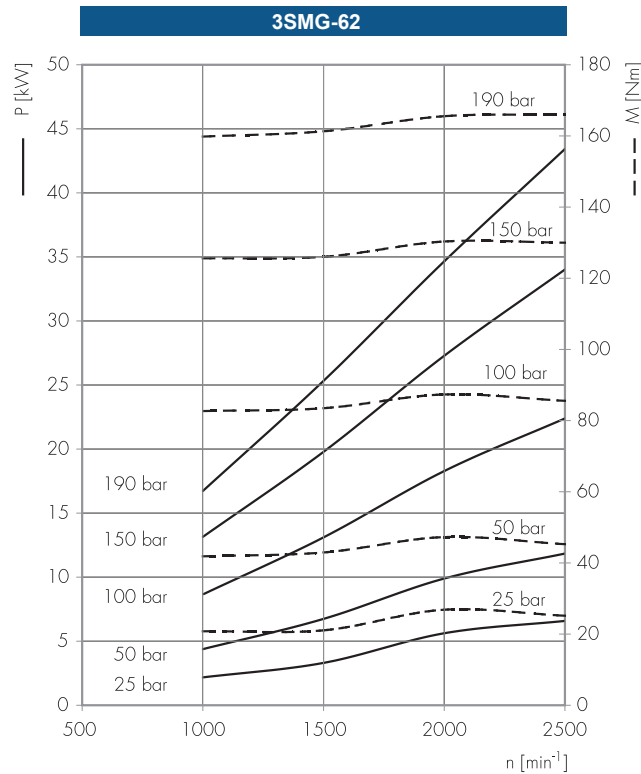
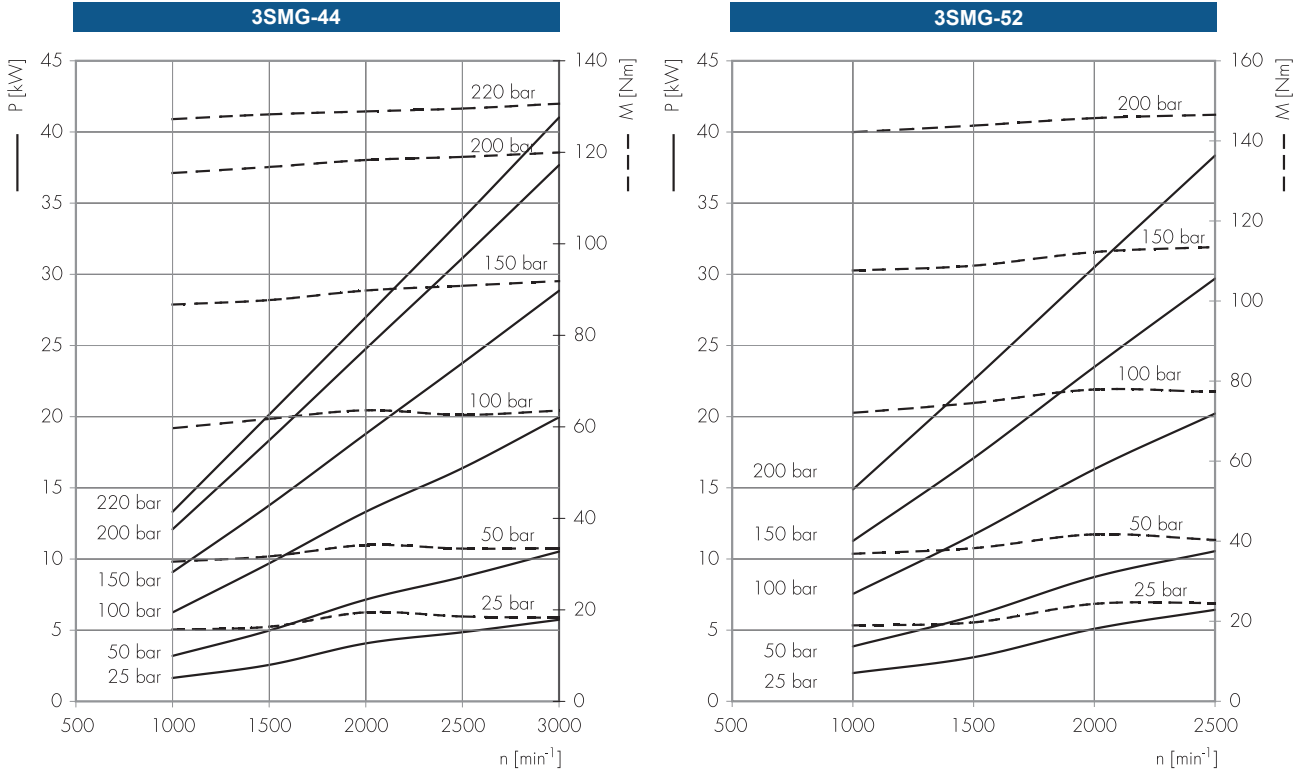


# 3SMG Series

Reversible Gear Motors



## TYPICAL PERFORMANCE DATA

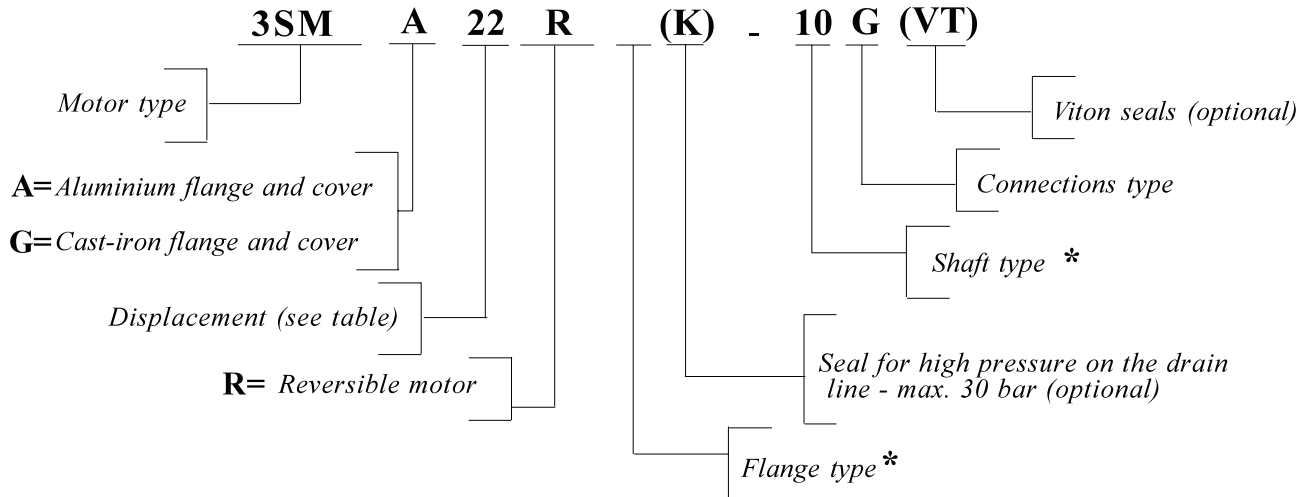


# 3SMG Series

Reversible Gear Motors



## HOW TO ORDER



\* Shafts and flanges of reversible motors are the same as that of the pumps.